



# Roll-off Container

*Tarp Solutions*



**Holtz Industries, Inc | 200 South Terrace Ct | Newark, OH 43055**  
**TF: 1-800-535-0104 | Web: [www.holtzindustries.com](http://www.holtzindustries.com)**

# REVOLUTIONARY NEW TARP SYSTEM

## **AEROFORCE ROC**

*Roll Off Container Tarp System*

Built from the ground up, the AeroForce ROC tarp system delivers the ultimate roll-off application versatility, strength, and security.



Holtz Industries, Inc | 200 South Terrace Ct | Newark, OH 43055  
TF: 1-800-535-0104 | Web: [www.holtzindustries.com](http://www.holtzindustries.com)

# AEROFORCE<sup>®</sup> ROC

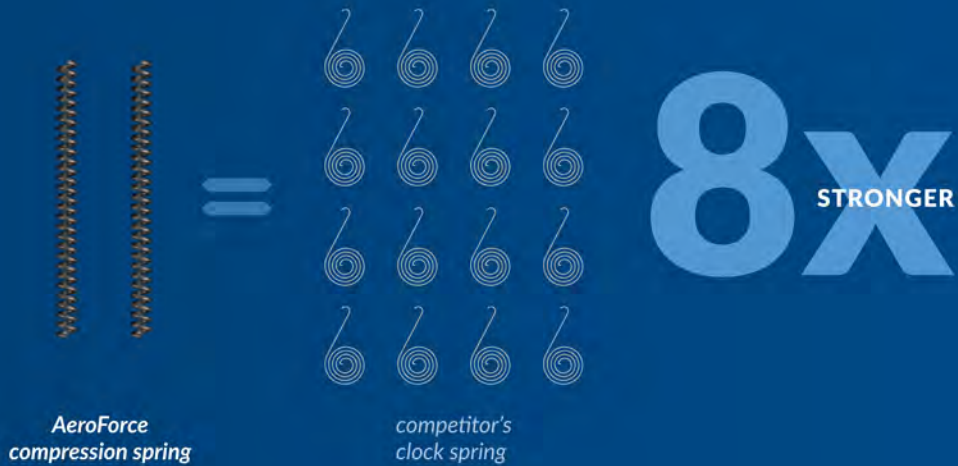
# 1

## OUR REVOLUTIONARY COMPRESSION SPRING TECHNOLOGY OUT MUSCLES THE COMPETITION

At the heart of the AeroForce system is our patent pending internal compression spring technology. A single AeroForce compression spring delivers almost 2x more downforce when compared to competitor springs. The heavy duty, all aluminum arm construction protects the spring from road and environmental elements, ensuring maximum spring longevity.

Minimizes spring fatigue and tension loss over time

2 compression springs = 16 clock springs



The diagram shows a large blue '2x' with a downward-pointing triangle below it, indicating '2x MORE DOWNFORCE'. This is positioned over a close-up image of the AeroForce spring mechanism, which shows a blue spring inside a protective aluminum arm.

2x MORE DOWNFORCE

PATENTS:  
10023033, 9969248,  
other patents pending

2

**RAISING THE INDUSTRY BAR FOR STRENGTH, DURABILITY... AND GOOD LOOKS**

The strength, shape, and size of the extrusions, combined with our unbelievably strong arm castings, means our revolutionary arm technology is 8x stronger than the competition. The industry's only adjustable one-piece arm eliminates a smaller, weaker two-piece design, yet allows the installers to easily adjust the arm lengths.



*shown with optional 45° offset arm*

ENGINEERED FOR **GREATER CLEARANCE** **VERSATILITY AND STRENGTH**



3

**THE THREE-STAGE, DUAL-CYLINDER TOWER AND AEROFORCE SLIDING PIVOTS ARE DESIGNED FOR MAXIMUM VERSATILITY**

The AeroForce ROC system's sliding pivots and tower are designed to provide significantly more flexibility than the industry leading systems as it covers 20, 30, and 40 yard containers. The AeroForce tower has a two stage design providing 48" of vertical travel. Available with optional work lights.

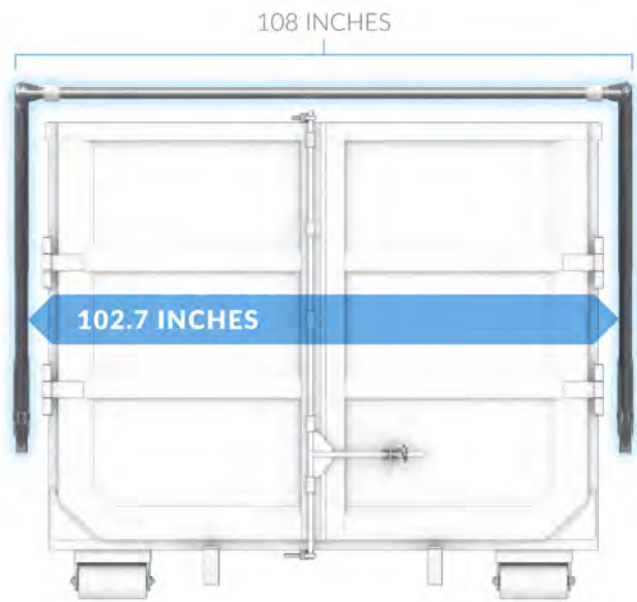


The sliding pivots on the AeroForce system travel 28", yet another reason why the AeroForce system provides significantly more length versatility.

# 4

## OUR SYSTEM'S INTERNAL CLEARANCE FURTHER WIDENS THE GAP FROM OUR COMPETITION

The 102.7" internal width clearance of the AeroForce ROC tarp system allows you to better maintain system integrity.



# 5

## OUR HEAVY DUTY AEROMAX MOTOR STAYS COOL UNDER PRESSURE

At the heart of the AeroForce system is our proprietary AeroMax motor and precision torque amplifier. Utilizing hypoid gear technology, our motor provides maximum force.

All metal construction

Maintains 3" width

Self-locking gears—no mechanical or magnetic brake

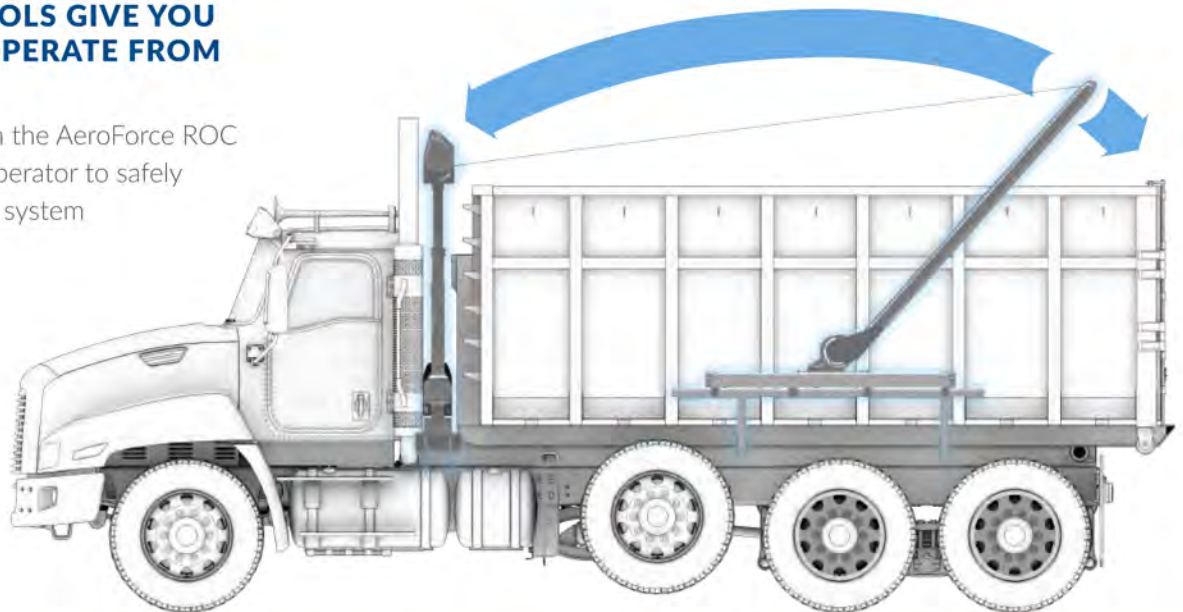
Built-in manual override

Gore-Tex® vent and internal fan keep motor cool and dry under the harshest of conditions

# 6

## WIRELESS CONTROLS GIVE YOU THE ABILITY TO OPERATE FROM THE GROUND

The wireless controls on the AeroForce ROC tarp system allow the operator to safely and accurately view the system throughout operation.

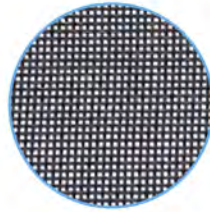




## TARP

Various fabrics available, including Monster Mesh—a rugged fabric that is hurricane tested.

Multiple widths available to fit each application.



Monster Mesh



## TARP HOUSING

Sloped design provides maximum drainage of debris and water.

Available with optional work lights



## AEROFORCE S2S

A revolutionary new tarp system built from the ground up, delivering the ultimate in versatility, durability, and performance. The AeroForce side-to-side tarp system is designed for multiple trailer configurations including refuse and end dump.



## REFUSE ROLL TARPS

In a matter of minutes, your trailer can be completely uncovered using the Aero side-to-side roll tarp system. Just undo the straps and smoothly crank the roll tarp across the trailer.



## LID 2

The industry's strongest refuse flip tarp system is now lighter, faster and stronger than ever. The Lid 2 provides a more durable design along with an easier to maintain structure, minimizing repair costs.



Holtz Industries, Inc | 200 South Terrace Ct | Newark, OH 43055  
TF: 1-800-535-0104 | Web: [www.holtzindustries.com](http://www.holtzindustries.com)