

# Apollo A300C

MID-RANGE REAR LOADER



*Large Hopper, Low Loading Height,  
“E-Z Load” Productivity*

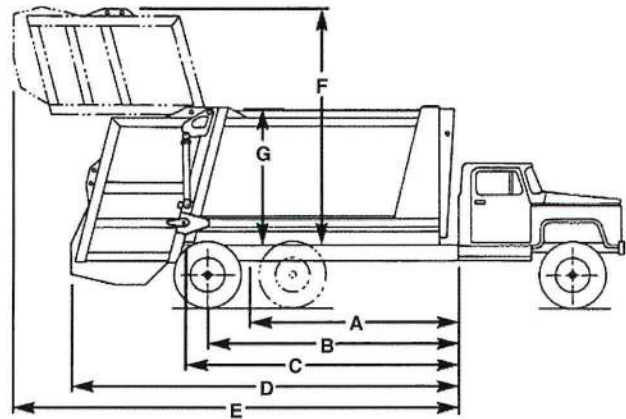
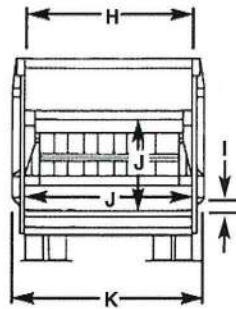


*Refuse Hauling Solutions, LLC*

Holtz Industries, Inc | 200 South Terrace Ct | Newark, OH 43055  
TF: 1-800-535-0104 | Fax: 740-366-0771

# E-Z Pack

## APOLLO A300C Mid-Range Rear Loader SPECIFICATIONS



MODEL	A300C-18	A300C-20	A300C-25
CAPACITY	18 Cu. Yd. (13.8 m <sup>3</sup> )	20 Cu. Yd. (15.3 m <sup>3</sup> )	25 Cu. Yd. (19.1 m <sup>3</sup> )
A CAB TO TRUNNION (CT)	N/A	126" - 132" (3200 - 3353 mm)	156" - 162" (3962 - 4115 mm)
B CAB TO AXLE	120" - 126" (3048 - 3200 mm)	138" - 144" (3505 - 3658 mm)	N/A
C DECK LENGTH CLEAR PLATFORM	155" (3937 mm)	170" (4318 mm)	204" (5182 mm)
D LENGTH (Including Tailgate)	223" (5664 mm)	238" (6045 mm)	272" (6909 mm)
E LENGTH (Tailgate Raised)	262" (6655 mm)	277" (7036 mm)	311" (7899 mm)
F HEIGHT (Tailgate Raised)		156" (3962 mm)	
G HEIGHT (Above Chassis Frame)		90.25" (2292 mm)	
H INSIDE WIDTH (Body)		91" (2311 mm)	
I LOADING HEIGHT (Below Frame)	Up to 5.5" (140 mm) below chassis frame		
J LOADING OPENING	80" wide (2032 mm) x 58" (1473 mm) high		
K OUTSIDE WIDTH		96" (2438 mm)	
HOPPER CAPACITY	3 Cu. Yd. (2.3 m <sup>3</sup> )		
WEIGHT	9,700 lbs. (4400 kg)	10,050 lbs. (4559 kg)	10,800 lbs. (4899 kg)
<i>Chassis specifications listed are intended as general guidelines only. Each chassis selection should be made on an analysis of the weight distribution for the particular chassis/body combination including optional equipment and anticipated payloads</i>			

CONSTRUCTION AND OPERATIONAL DETAILS	
Body Floor	7 ga. (4.55 mm) 50,000 PSI
Body Sides	7 ga. (4.55 mm) 100,000 PSI
Body Roof	10 Ga. (3.42 mm) 50,000 PSI
Ejector Panel	7 ga. (4.55 mm) 50,000 PSI
Hopper Floor	1/4" (6.35 mm) 155,000 PSI 400 BHN
Hopper Sides	Lower 1/4" (6.35 mm) 100,000 PSI Upper 7 ga. (4.55 mm) 50,000 PSI
Packing Panel	7 ga. (4.55 mm) 50,000 PSI
Packing Cylinders (2)	4-1/2" (140 mm) (D.A.)
Sweep Cylinders (2)	4" (102 mm) (D.A.)
Tailgate Cylinders (2)	3" (76 mm) (D.A.)
Ejector Cylinder (1)	18 Yd - 5-1/2" (140 mm) 2-Stage DA 20 Yd. - 5-1/2" (140 mm) 2-Stage DA 25 Yd. - 5-1/2" (140 mm) 3-Stage DA
Hydraulic Oil Tank	37 Gallons (140 Liters)
Hydraulic Pump	27 G.P.M. @ 1200 RPM (102 Liter/Min.)
Hydraulic Filters	Suction - 100 Mesh Return - 10 Micron
System Operating Pressure	2,500 PSI
<b>SPECIAL NOTES:</b>	
1) PTO Requirements are 39 HP @ 1200 RPM (Torque Rating 212 Ft. Lb.) Minimum	
2) Chassis MUST be equipped with diesel engine and requires variable speed governor with body builders connection for engine remote throttle, programmed and preset to approximately 1400 RPM.	
3) Chassis lighting must be set up and programmed for heavy duty package and duplicate independent stop and turn signals	

### Standard Equipment

- Manual Controls
- ICC Lights and Reflectors Meet DOT Requirements
- Tailgate Props
- Non-Skid Riding Steps at Rear Corners of Tailgate
- Back Up Alarm
- Streetside and Curbside Buzzers
- Body Lifting Eyes
- Automatic Latch-Unlatch Tailgate
- High Mount Light Package

### Optional Equipment

- Air Shift or Hot Shift PTO's
- 10,000 lb. (4536 kg) Overhead Winch\*
- Street Side Access Door
- 14,000 lb. (6350 kg) Reaving Cylinder Winch\*
- Front Mount Pump
- System Pressure Gauge
- Dual Hopper Flood Lights
- 1-3 Yard (.76 - 2.3 m<sup>3</sup>) Hydraulic Container Attachment
- Rear Body Side Liner

\* Optional Container Dumping Devices Handle Containers up to 10 Cubic Yards (7.6 m<sup>3</sup>)

### Operational Features

- COMPACTION CYCLE:**  
Manual hydraulic, automatic split cycle, fully reversible
- CYCLE TIME:**  
26 seconds, reload @ 9 seconds
- PACKER PANEL:**  
Curved, one-piece construction
- EJECTOR PANEL:**  
Travels in steel guide shoes, floor level track
- PACKING CYLINDERS:**  
Positioned away from refuse for trouble-free operation
- EJECTOR CYLINDER:**  
Heavy Duty, double-acting, telescopic

E-Z Pack Refuse Hauling Solutions, LLC, reserves the right under its Product Improvement Program to modify construction and/or design and furnish equipment without reference to illustrations and specifications shown herein. All specifications are subject to change without notice.



© Copyright 2014, E-Z Pack Refuse Hauling Solutions, LLC

Authorized Distributor:

Printed in U.S.A.