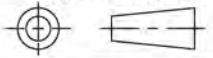

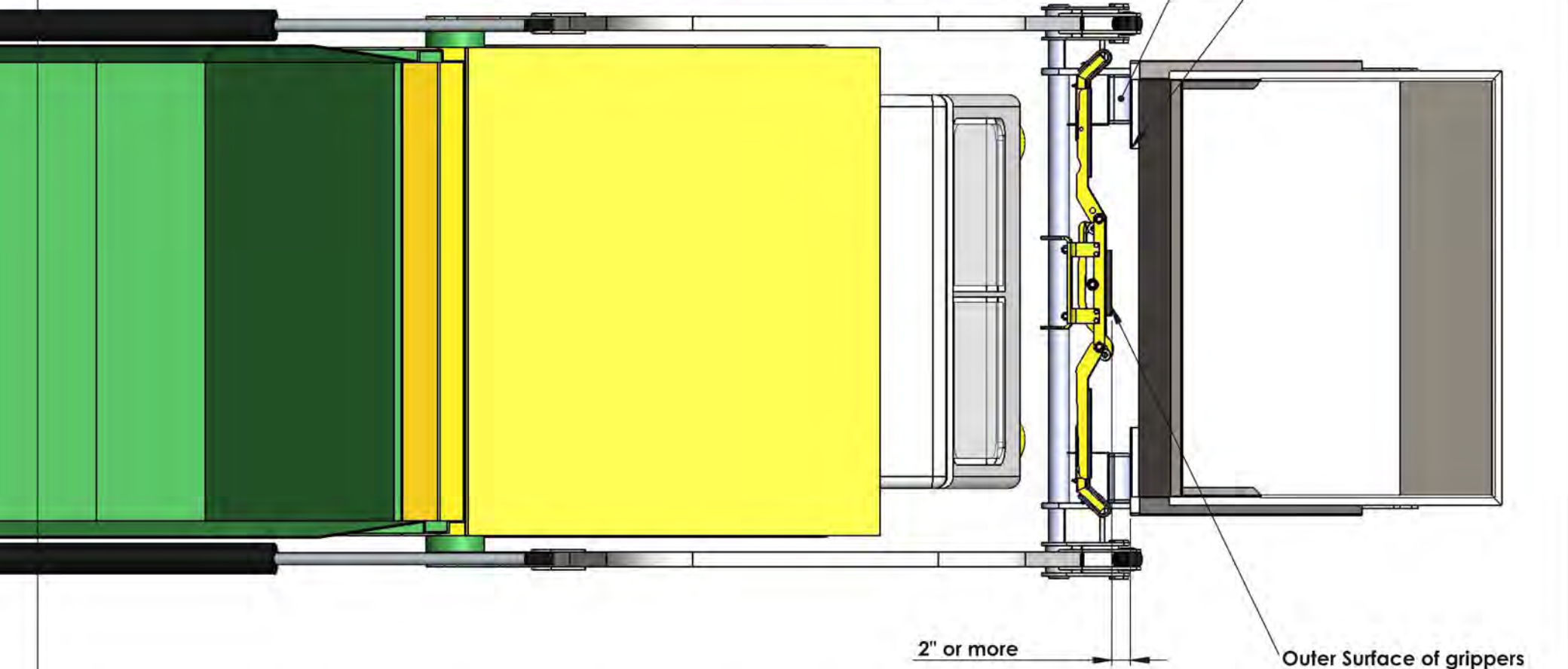


<p>Holtz Industries, Inc. 200 S Terrace Ct Newark, OH 43055</p> <p>TF: 1-800-535-0104</p>	RETURN QUOTES TO FAX#	DRAWING TYPE <b>Study</b>	THIRD ANGLE PROJECTION 		TITLE: <b>Front Grabbers Attachment</b>		
	ENGINEERING QUESTIONS	FIXTURE # -	TOLERANCES UNLESS OTHERWISE SPECIFIED		MATERIAL:		
	PLEASE DISPLAY THE CURRENT REVISION LEVEL ON ALL QUOTES, BILLING & CORRESPONDENCE.	<input checked="" type="checkbox"/> MFG IN-HOUSE <input type="checkbox"/> PURCHASE	FRACTIONAL	$\pm 1/64$	$\pm 1/32$	NOTES: REMOVE BURRS & CHAMFER SHARP EDGES 1/32X45°	
	IF VENDOR HAS ANY SUGGESTIONS TO LOWER MANUFACTURING COSTS OR TO IMPROVE THE QUALITY, PLEASE CONTACT THE ENG. DEPT.	VENDOR REF# -	DECIMAL	$\pm .005$	$\pm .015$	TO BE FREE OF RUST, HEAVY SCALE & WELD SPLATTER	
			ANGULAR	$\pm 1/2^\circ$	$\pm 1/2^\circ$	SURFACE FINISH TYPE UNLESS OTHERWISE SPECIFIED	
			COCENTRIC CIRCLES	$\pm .005$		PIN SURFACES & DRILLED HOLES	MICROINCHES 63 ✓
			DIM'S ARE IN INCHES	DO NOT SCALE DWG		PLASMA/LASER CUT SURFACES	250 ✓
						MACHINED SURFACES	125 ✓
					DRAWN:	DATE OF ORIGIN:	<b>7/14/16</b>
						THIS DATE INDICATES THE LATEST REVISION DATE: <b>REVISED: July 14, 2016</b>	
						DESTROY OR MARK 'OBSOLETE' ALL PREVIOUS PRINTS	
						DWG. NO.	REV # 

DWG. NO.	REV # -	REVISED DATE:
----------	------------	---------------

REV	ECN#	DATE	DESCRIPTION OF CHANGE	DRN	APP
△	-	-	-		

Grippers will need to be installed behind the truck's bumper. The Container will need to be stopped for the truck's bumper and the gripper will be safe protected behind bumper, keepng it from being hit.

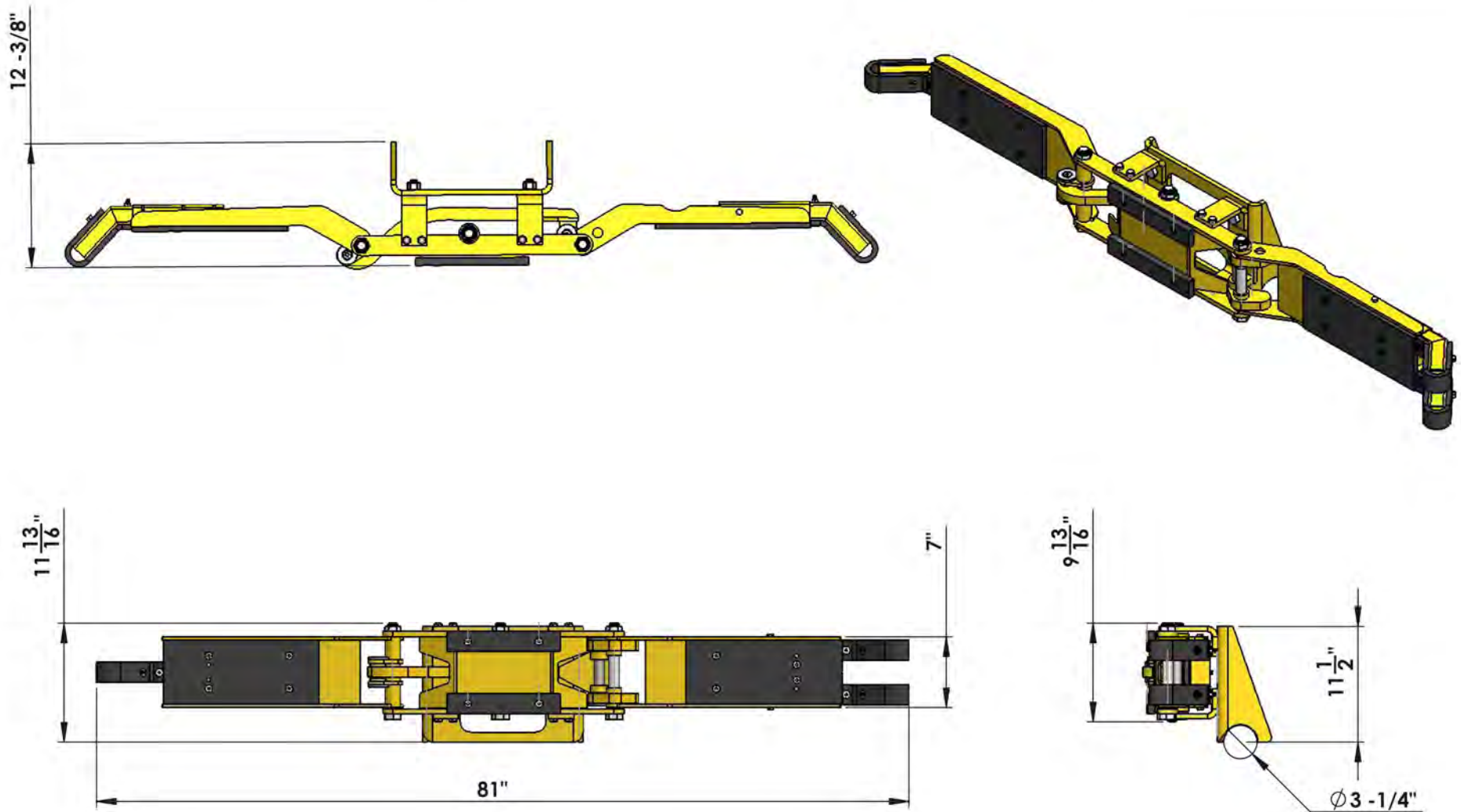


<p>Holtz Industries, Inc. 200 S Terrace Ct Newark, OH 43055</p> <p>TF: 1-800-535-0104</p>	RETURN QUOTES TO FAX#	DRAWING TYPE <b>Study</b>	THIRD ANGLE PROJECTION 		TITLE: <b>Front Grabbers Attachment</b>		
	ENGINEERING QUESTIONS	FIXTURE # -	TOLERANCES UNLESS OTHERWISE SPECIFIED		MATERIAL:		
	PLEASE DISPLAY THE CURRENT REVISION LEVEL ON ALL QUOTES, BILLING & CORRESPONDENCE.	<input checked="" type="checkbox"/> MFG IN-HOUSE <input type="checkbox"/> PURCHASE	FRACTIONAL	±1/64	±1/32	NOTES: REMOVE BURRS & CHAMFER SHARP EDGES 1/32X45°	
	IF VENDOR HAS ANY SUGGESTIONS TO LOWER MANUFACTURING COSTS OR TO IMPROVE THE QUALITY, PLEASE CONTACT THE ENG. DEPT.	VENDOR REF# -	DECIMAL	±.005	±.015	TO BE FREE OF RUST, HEAVY SCALE & WELD SPLATTER	
			ANGULAR	±1/2°	±1/2°	SURFACE FINISH TYPE UNLESS OTHERWISE SPECIFIED	
			COCENTRIC CIRCLES	±.005		PIN SURFACES & DRILLED HOLES MICRONS: 63 ✓	
			DIM'S ARE IN INCHES	DO NOT SCALE DWG		PLASMA/LASER CUT SURFACES 250 ✓	
						MACHINED SURFACES 125 ✓	
						DATE OF ORIGIN: <b>7/14/16</b>	
						THIS DATE INDICATES THE LATEST REVISION DATE: <b>REVISED: July 14, 2016</b> DESTROY OR MARK 'OBSOLETE' ALL PREVIOUS PRINTS!	
						DWG. NO.	
						REV # △	



DWG. NO.	REV # -	REVISED DATE:
----------	------------	---------------

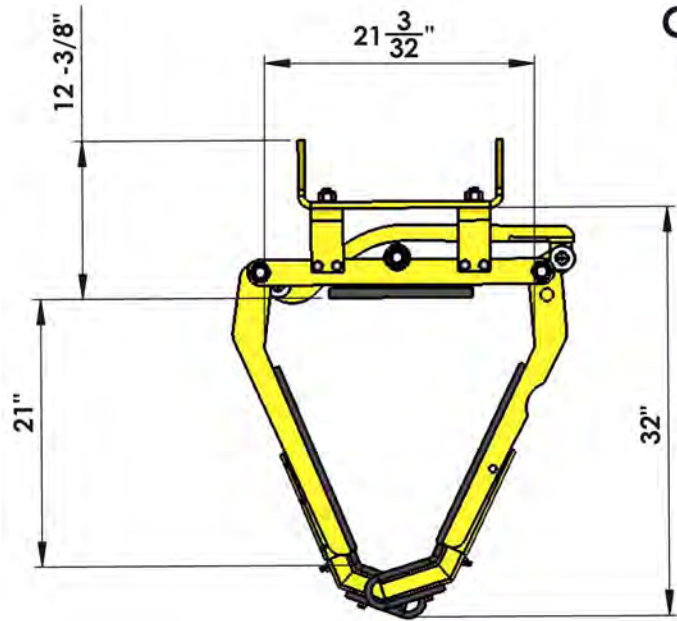
REV	ECN#	DATE	DESCRIPTION OF CHANGE	DRN	APP
△	-	-	-	CA	RA



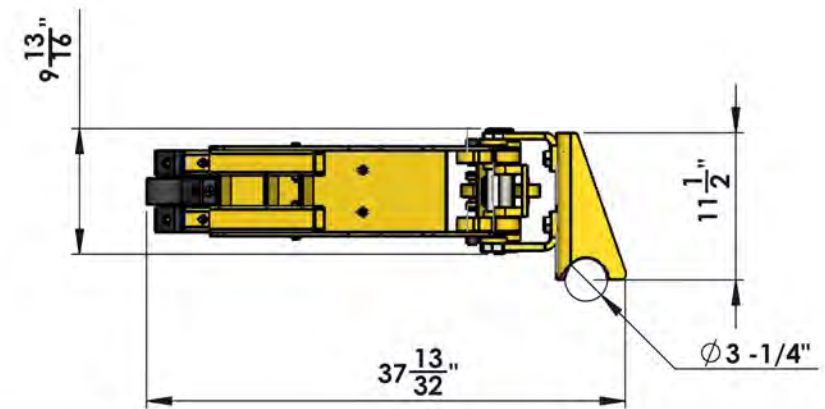
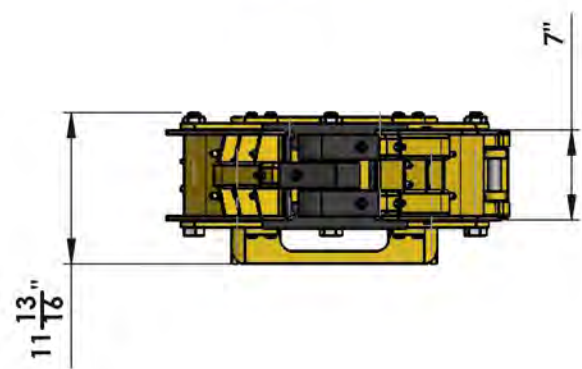
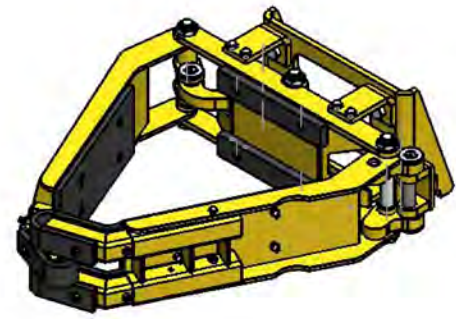
<p>Holtz Industries, Inc. 200 S Terrace Ct Newark, OH 43055</p> <p>TF: 1-800-535-0104</p>	RETURN QUOTES TO FAX#	DRAWING TYPE <b>Dimensions</b>	THIRD ANGLE PROJECTION 	MATERIAL:	TITLE: <b>Front Grabber Attachment</b>	
	ENGINEERING QUESTIONS	FIXTURE # -	TOLERANCES UNLESS OTHERWISE SPECIFIED	NOTES: REMOVE BURRS & CHAMFER SHARP EDGES 1/32X45°	THIS DATE INDICATES THE LATEST REVISION DATE: <b>REVISED: June 23, 2016</b>	
	PLEASE DISPLAY THE CURRENT REVISION LEVEL ON ALL QUOTES, BILLING & CORRESPONDENCE.	<input checked="" type="checkbox"/> MFG IN-HOUSE <input type="checkbox"/> PURCHASE	FRACTIONAL ±1/64 ±1/32 DECIMAL ±.005 ±.015 ANGULAR ±1/2° ±1/2°	TO BE FREE OF RUST, HEAVY SCALE & WELD SPLATTER.	MICROINCHES PIN SURFACES & DRILLED HOLES 63 ✓ PLASMA/LASER CUT SURFACES 250 ✓ MACHINED SURFACES 125 ✓	DESTROY OR MARK 'OBSOLETE' ALL PREVIOUS PRINTS
	IF VENDOR HAS ANY SUGGESTIONS TO LOWER MANUFACTURING COSTS OR TO IMPROVE THE QUALITY, PLEASE CONTACT THE ENG. DEPT.	VENDOR REF# -	COCENTRIC CIRCLES ±.005 DIM'S ARE IN INCHES DO NOT SCALE DWG	DATE OF ORIGIN: <b>6/23/16</b>	DWG. NO. <b>D6115FL</b>	REV # -

DWG. NO.	REV # -	REVISED DATE:
----------	------------	---------------

REV	ECN#	DATE	DESCRIPTION OF CHANGE	DRW	APP
△	-	-	-		



Closed at its limit



RETURN QUOTES TO FAX#	DRAWING TYPE <b>Dimensions</b>	THIRD ANGLE PROJECTION 	MATERIAL:	TITLE: <b>Front Grabber Attachment</b>
ENGINEERING QUESTIONS	FIXTURE # -	TOLERANCES UNLESS OTHERWISE SPECIFIED PARTS WELDMENTS	NOTES: REMOVE BURRS & CHAMFER SHARP EDGES 1/32X45°	THIS DATE INDICATES THE LATEST REVISION DATE: <b>REVISED: June 23, 2016</b> DESTROY OR MARK 'OBSOLETE' ALL PREVIOUS PRINTS
PLEASE DISPLAY THE CURRENT REVISION LEVEL ON ALL QUOTES, BILLING & CORRESPONDENCE.	<input checked="" type="checkbox"/> MFG IN-HOUSE <input type="checkbox"/> PURCHASE	FRACTIONAL ±1/64 ±1/32 DECIMAL ±.005 ±.015 ANGULAR ±1/2° ±1/2°	TO BE FREE OF RUST, HEAVY SCALE & WELD SPLATTER	
IF VENDOR HAS ANY SUGGESTIONS TO LOWER MANUFACTURING COSTS OR TO IMPROVE THE QUALITY, PLEASE CONTACT THE ENG. DEPT.	VENDOR REF# -	COCENTRIC CIRCLES ±.005	SURFACE FINISH TYPE UNLESS OTHERWISE SPECIFIED PIN SURFACES & DRILLED HOLES 63 ✓ PLASMA/LASER CUT SURFACES 250 ✓ MACHINED SURFACES 125 ✓	DWG. NO. <b>D6115FL</b>
		DIM'S ARE IN INCHES DO NOT SCALE DWG	DATE OF ORIGIN: <b>6/23/16</b>	REV # -