

# HY-TOWER SL



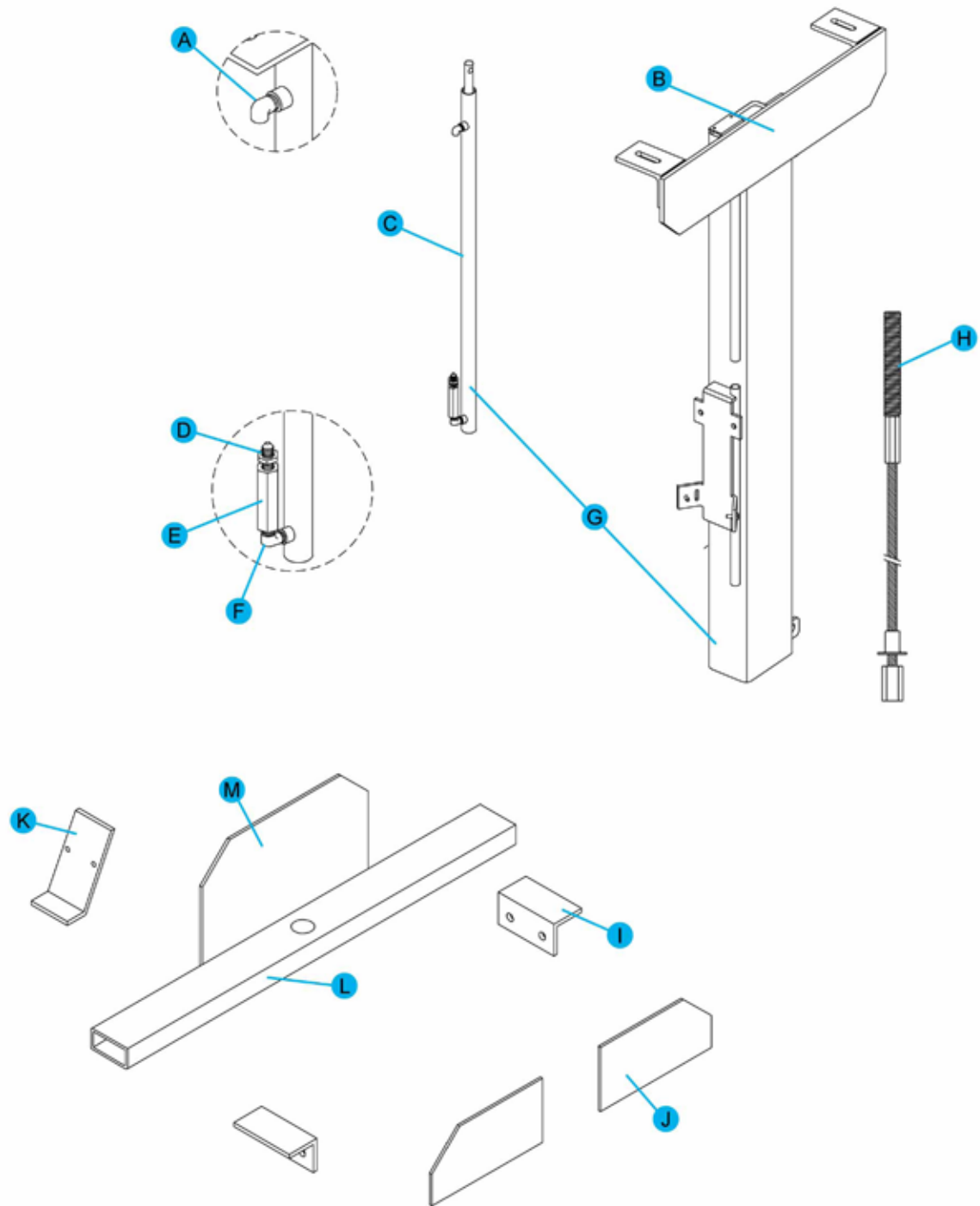
## Hy-Tower SL

### Features

- Raises 15 feet above truck frame!
- Pre-assembled for easy installation!
- Lifetime warranty on Springs (US / CAN only)
- Self-contained hydraulics
- 100" wide tarp
- Only 450 lbs. installed!
- Covers 15 - 40 cu. yard roll-off containers

"We have three HY-TOWER SL's. I am very impressed with their performance and the fact that there is virtually no maintenance. I highly recommend the HY-TOWER SL."

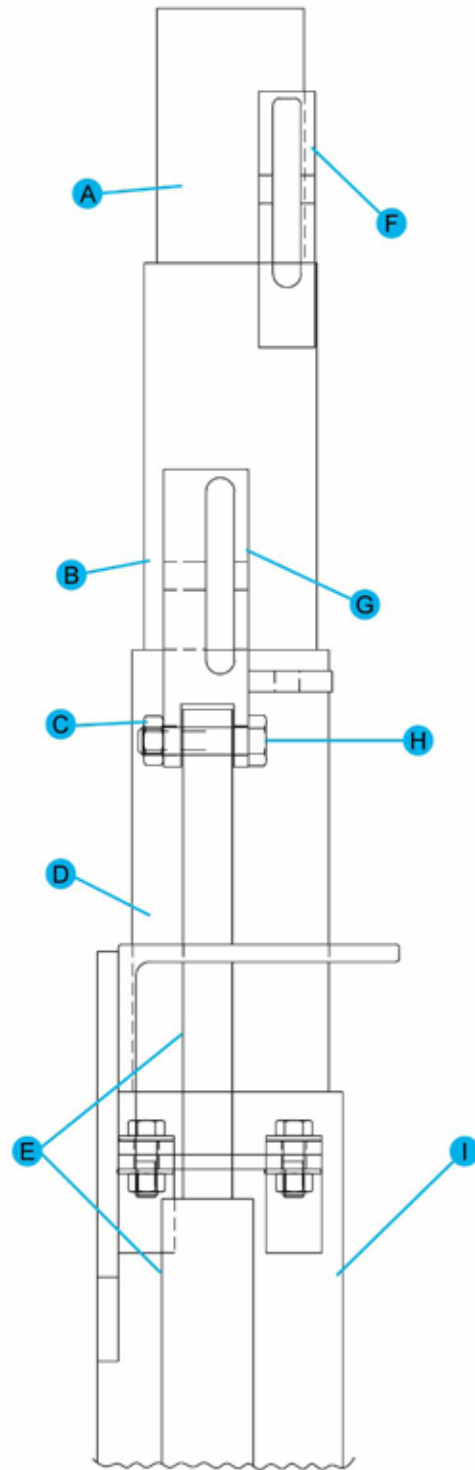
# HY-TOWER SL



Description	Part #
<b>A</b> Hydraulic Fitting	572
<b>B</b> Steel Leg Assembly w/o Cylinder	1334
<b>C</b> 1.25" x 40" x 1" Hydraulic Cylinder	3176
<b>D</b> Hydraulic Fitting	2960
<b>E</b> Hydraulic Pressure Control Compensator	2961
<b>F</b> Hydraulic Fitting	2639
<b>G</b> Steel Leg Assembly w/ Cylinder & Telescoping Leg Assemblies	3170-12V

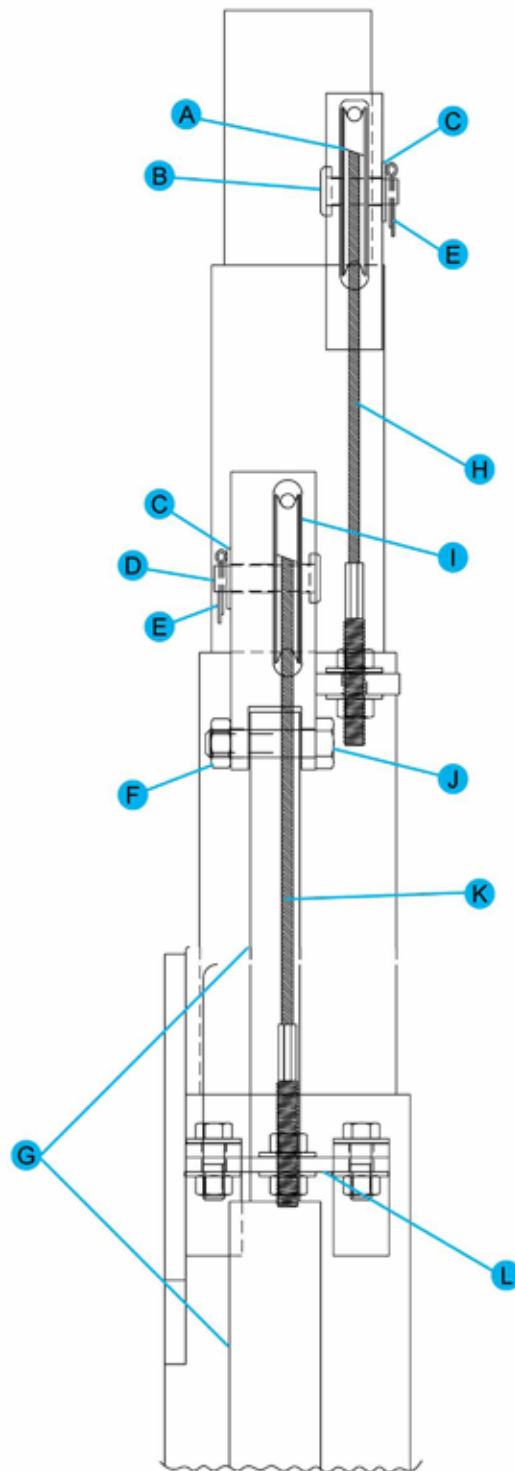
Description	Part #
<b>H</b> Nylon Coated Cable Assembly	2901
<b>I</b> Mounting Bracket Angle	2347-5
<b>J</b> Front Brace	1335
<b>K</b> Control Switch Mounting Plate	3508
<b>L</b> Mounting Base	3171
<b>M</b> Back Brace	1316

# HY-TOWER SL



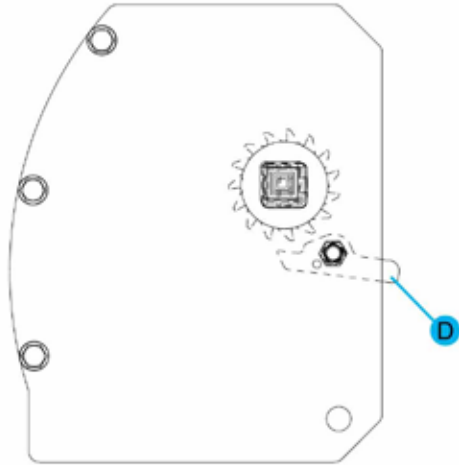
Description	Part #	Description	Part #
<b>A</b> Upper Extrusion	1350	<b>F</b> Upper Pulley Block Bracket	1973
<b>B</b> Middle Extrusion	1351	<b>G</b> Lower Pulley Block Bracket	1972
<b>C</b> 1/2"-13 Jam Nut	4012	<b>H</b> 1/2"-13 x 2.25" Bolt	3740
<b>D</b> Outer Extrusion	1352	<b>I</b> Base Assembly (Steel Leg)	1334
<b>E</b> Hydraulic Cylinder	3176		

# HY-TOWER SL

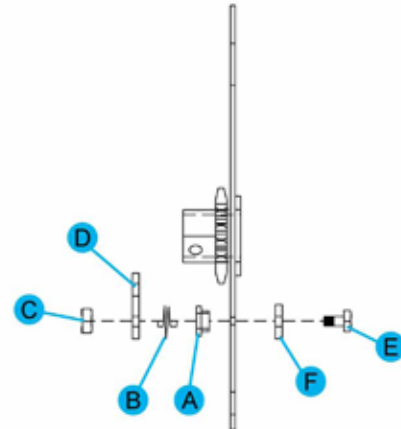


Description	Part #	Description	Part #
<b>A</b> Upper Pulley	1373	<b>G</b> Hydraulic Cylinder	3176
<b>B</b> 1/2" x 1.25" Clevis Pin	4557	<b>H</b> Nylon Coated Upper Cable	2901
<b>C</b> 1/2" ID / 7/8" OD Rim Shim	4149	<b>I</b> Lower Pulley	1373
<b>D</b> 1/2" x 1.75" Clevis Pin	4146	<b>J</b> 1/2"-13 x 2.25" Bolt	3740
<b>E</b> 1/8" x 1" Cotter Pin	4058	<b>K</b> Nylon Coated Lower Cable	2901
<b>F</b> 1/2"-13 Jam Nut	4012	<b>L</b> Flat Cable Mount, Threaded End	1372

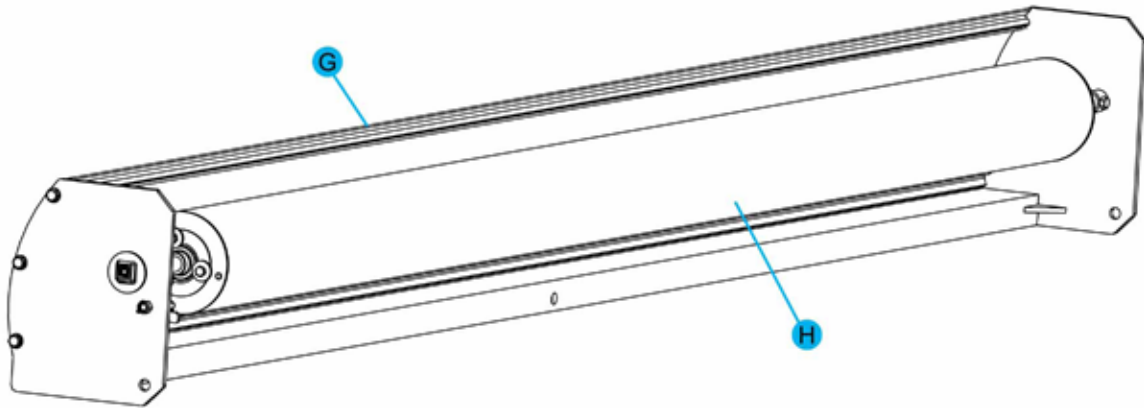
# HY-TOWER SL



**End View of Tarp Housing**



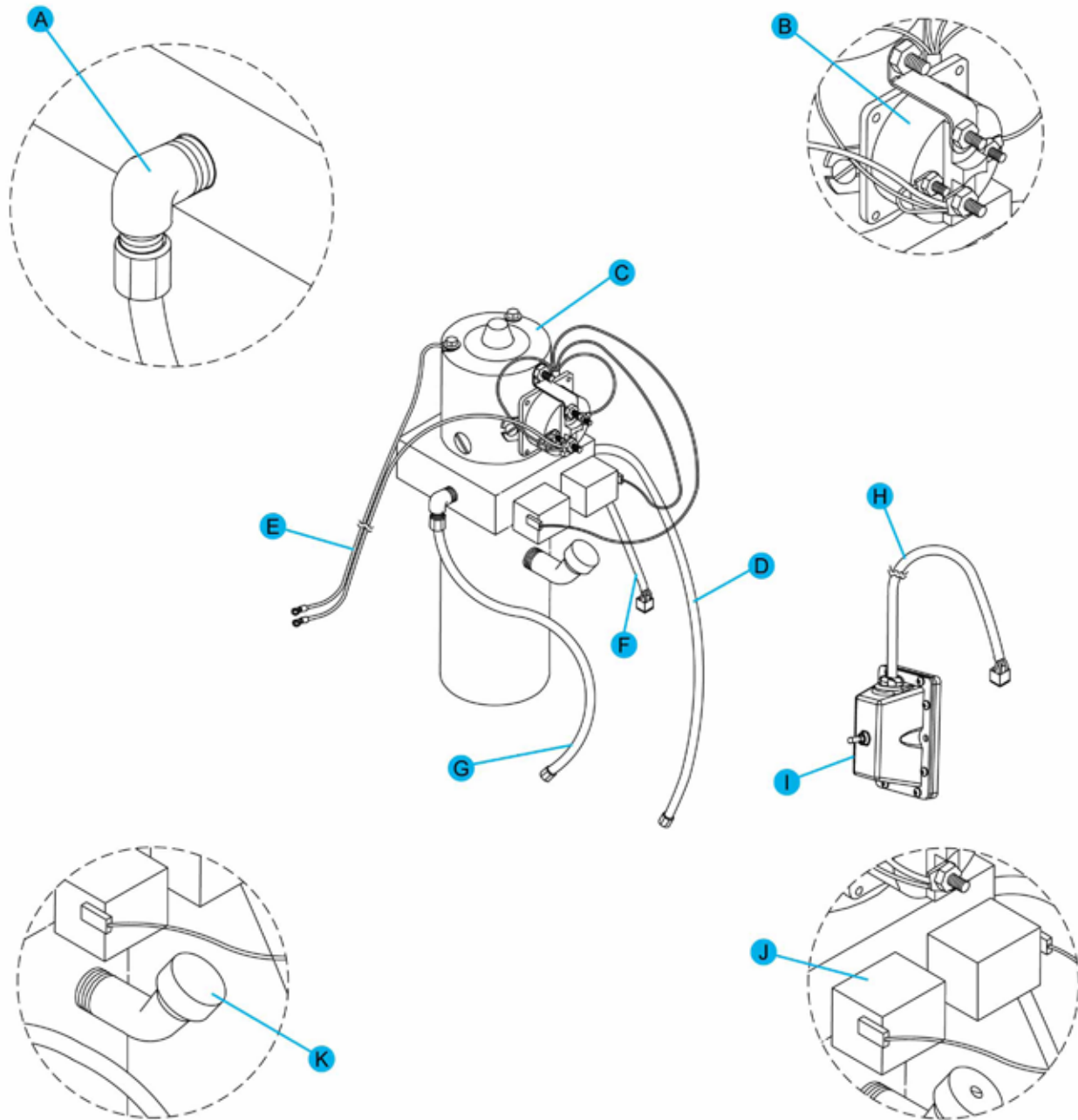
**Side View of Tarp Housing**



Description	Part #
<b>A</b> Ratchet Spacer	2320
<b>B</b> Ratchet Spring	2314
<b>C</b> 3/8"-16 Lock Nut	2874
<b>D</b> Ratchet Pawl	2650
<b>E</b> 3/8"-16 x 1" Bolt	2469

Description	Part #
<b>F</b> 3/8" Washer	2875
<b>G</b> Hy-Tower (SL) Housing (105.75" - US / UK)	3175
Hy-Tower (SL) Housing (100.39" - Europe)	3480
<b>H</b> Spring Loaded Roller Bar Assembly	3268

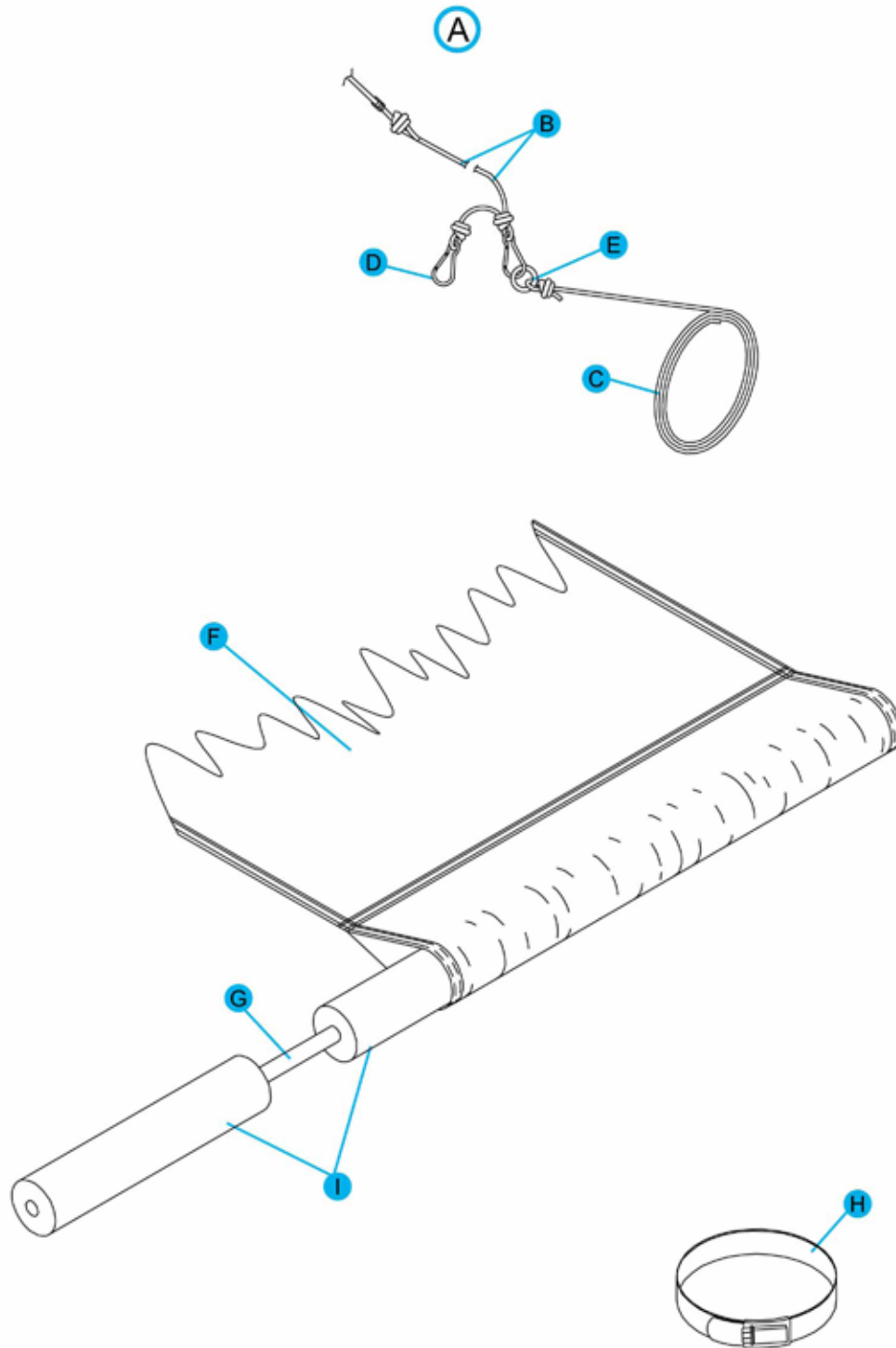
# HY-TOWER SL



Description	Part #	Description	Part #
<b>A</b> Hydraulic Fitting	2695	<b>F</b> Quick Disconnect Cord, Pump End	3832
<b>B</b> Hydraulic Motor Solenoid - 12v	3743	<b>G</b> 37 1/2" Hydraulic Hose Assembly	3320
Hydraulic Motor Solenoid - 24v	3744	<b>H</b> Quick Disconnect Cord, Control Box End	3831
<b>C</b> Hydraulic Pump Assembly - 12v	2734	<b>I</b> Toggle Switch Control Box (w/o Cord)	4576
Hydraulic Pump Assembly - 24v	2779	<b>J</b> Hydraulic Pump Coil - 12v	3833
<b>D</b> 37 1/2" Hydraulic Hose Assembly	3320	Hydraulic Pump Coil - 24v	3834
<b>E</b> 16' Pigtail Harness, 6 Gauge Wire	3325	<b>K</b> Breather Cap	3827

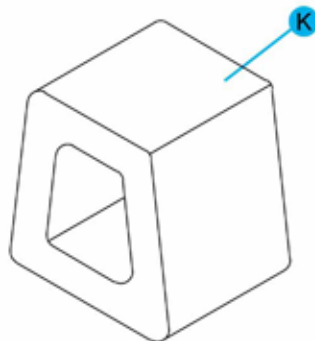
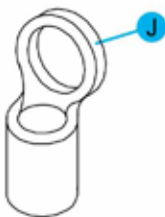
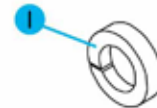
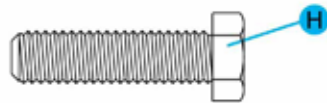
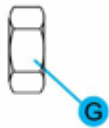
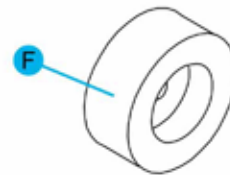
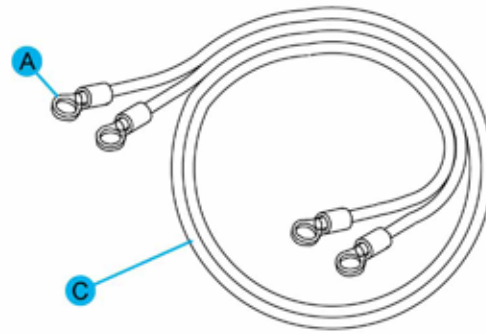
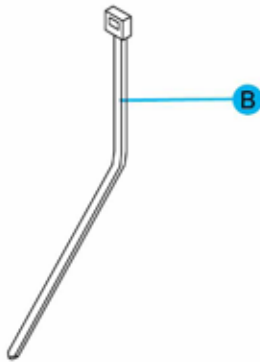
# HY-TOWER SL

## Complete Rope Assembly



Description	Part #	Description	Part #
<b>A</b> Complete Rope Assembly	2924	<b>F</b> Hy-Tower (SL) Tarp - US/UK 100"	2978
<b>B</b> 8' Nylon Pull Rope w/ 2 Snap Hooks	3877	Europe - 94"	2964
<b>C</b> 50' of 3/8" Nylon Rope w/ O-Ring	3876	<b>G</b> Composite Tube	2498
<b>D</b> 1/2" Steel Strap	2529	<b>H</b> Large Hose Clamp	2633
<b>E</b> Zinc Coated O-Ring	2528	<b>I</b> Polyethylene Foam	2499

# HY-TOWER SL

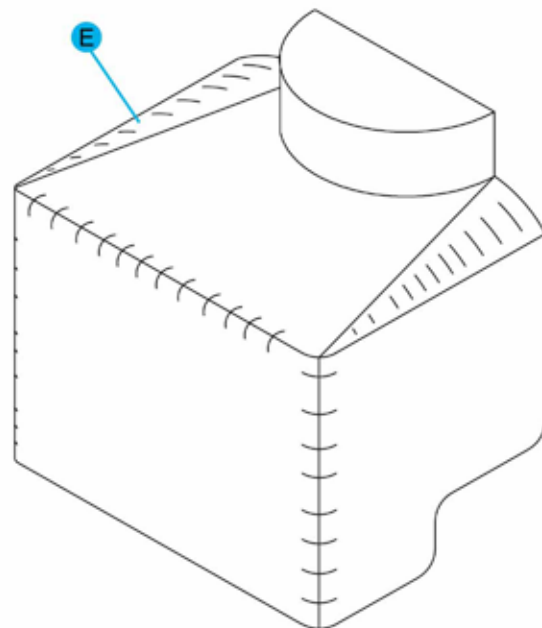
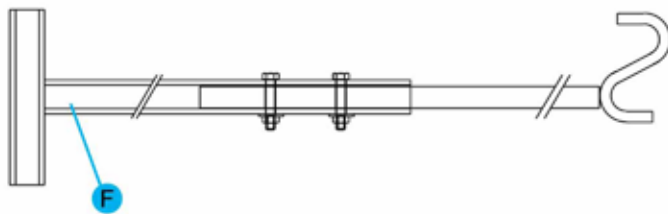
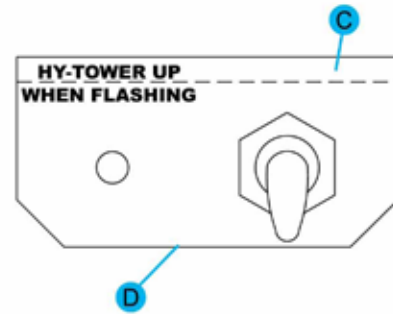
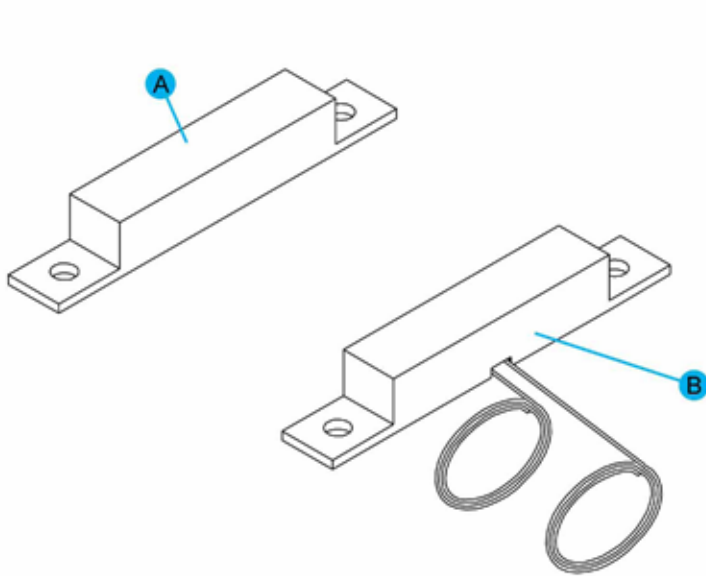


Description	Part #
<b>A</b> 3/8" x 4 ga. Ring Terminals	758
<b>B</b> 8" Zip Tie	2827
<b>C</b> 4 ga. Electric Wire, 16' w/o Ring Terminals	835
<b>D</b> 1/2"-13 x 2.25" Bolt	4012
<b>E</b> 1/2"-10 Jam Nut	3740
<b>F</b> 1.8125" dia. x 1.125" Rubber Bumper	2634

Description	Part #
<b>G</b> 3/4"-10 Jam Nut	4007
<b>H</b> 3/4"-10 x 2" Bolt	4008
<b>I</b> 3/4" Single Split Shaft Collar	450
<b>J</b> 3/8" x 4 ga. Ring Terminal	758
<b>K</b> Rubber Bumper, 3"	3209
<b>L</b> 1.5" dia. x 3/4" Rubber Bumper	3323

# HY-TOWER SL

Holtz Industries, Inc. | 200 S. Terrace Court  
 Newark, OH 43055  
 Toll Free: 1-800-535-0104 - Fax: 740-366-0771



Description	Part #
<b>A</b> Single Magnet Sensor	3814
<b>B</b> Single Magnet w/ Wire	3815
<b>C</b> Alarm Cutoff Switch Bracket	3816

Description	Part #
<b>D</b> Complete Alarm	2997
<b>E</b> Hy-Tower (SL) Solenoid Cover	3742
<b>F</b> Aluminum Shepards Hook	3979