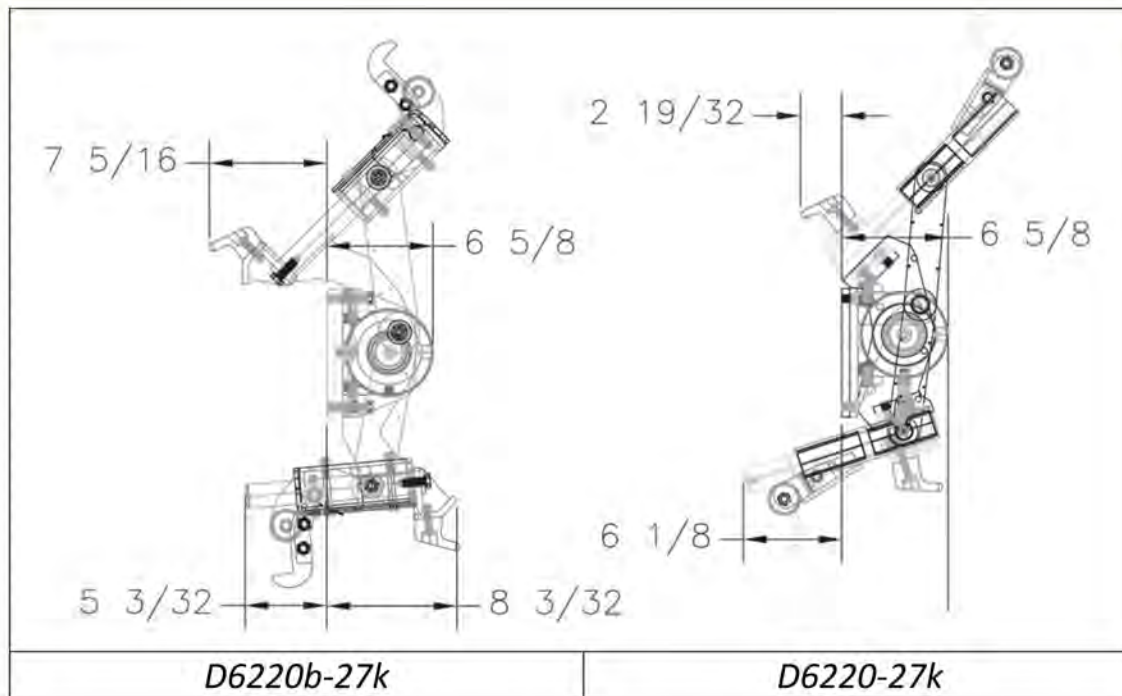


TECHNICAL SERVICE BULLETIN (TSB)
D6220 / D6220b

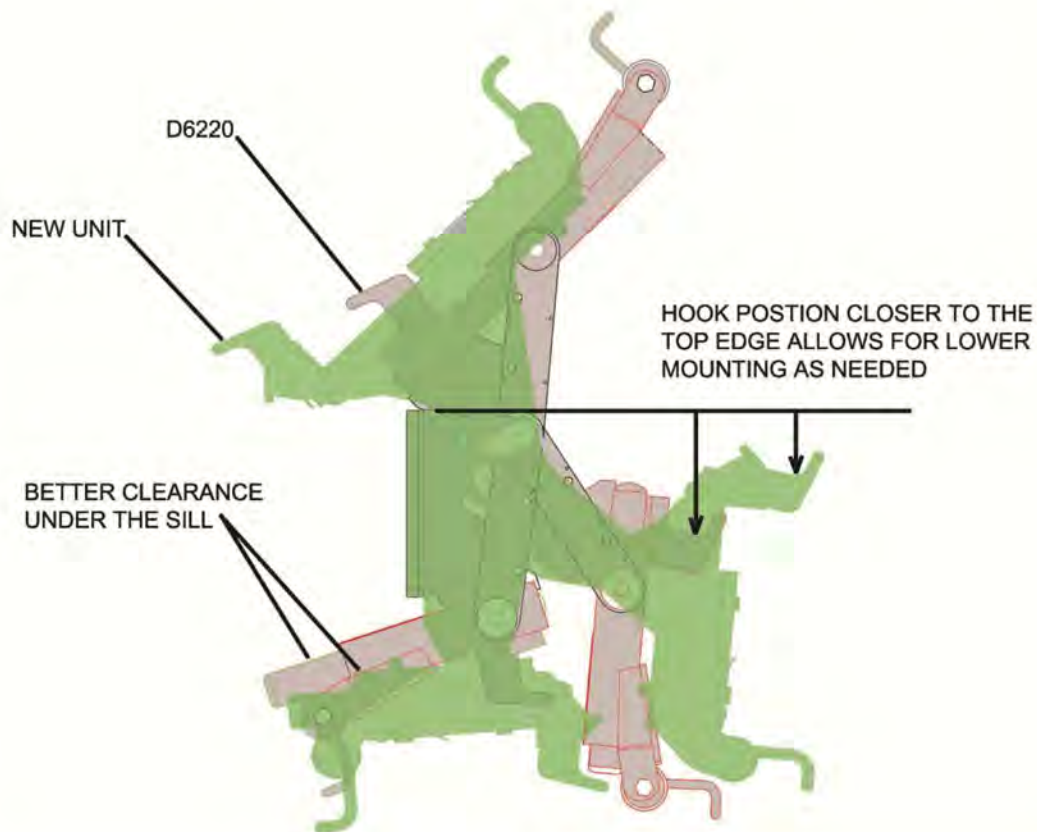


Please note that the D6220b has an upper saddle feature that when tucked, protrudes past the flush-point of the actuator. On installations replacing the D6220 with the D6220b, make sure this protrusion does not affect the ability of the container locks to engage and lock the containers normally. If necessary, relocate the container locks and extend the container bumper sill as needed.

TECHNICAL SERVICE BULLETIN (TSB)
D6220 / D6220b

D6220b Advantages:

- Thick Actuator bars now mount the actuator, allowing for a tight and secure anchoring.
 - The idler arms are thicker for larger bearings
- The idler arms mount to removable lugs for easier servicing
- The lower slide now takes place on plastic blocks which do not require grease
 - The lower latch is heavy duty reinforced and plastic tipped
- The plastic slide blocks are separate from the lower slide, allowing for easier replacement
 - the new unit's geometry now dumps deeper into the hopper
 - The new unit may be mounted lower than the original.

**TECHNICAL SERVICE BULLETIN (TSB)
D6220 / D6220b**

This graphic illustrates the difference between the D6220 (in grey) and the new D6220b (in green). The new unit's clearance under the hopper is improved, while going only slightly lower than the original. The new unit dumps deeper, and may be mounted at a lower height, as low as 36" to the mounting plate to the ground, and up to 41". The parts are not interchangeable.

If you have questions please contact the Engineering Department.