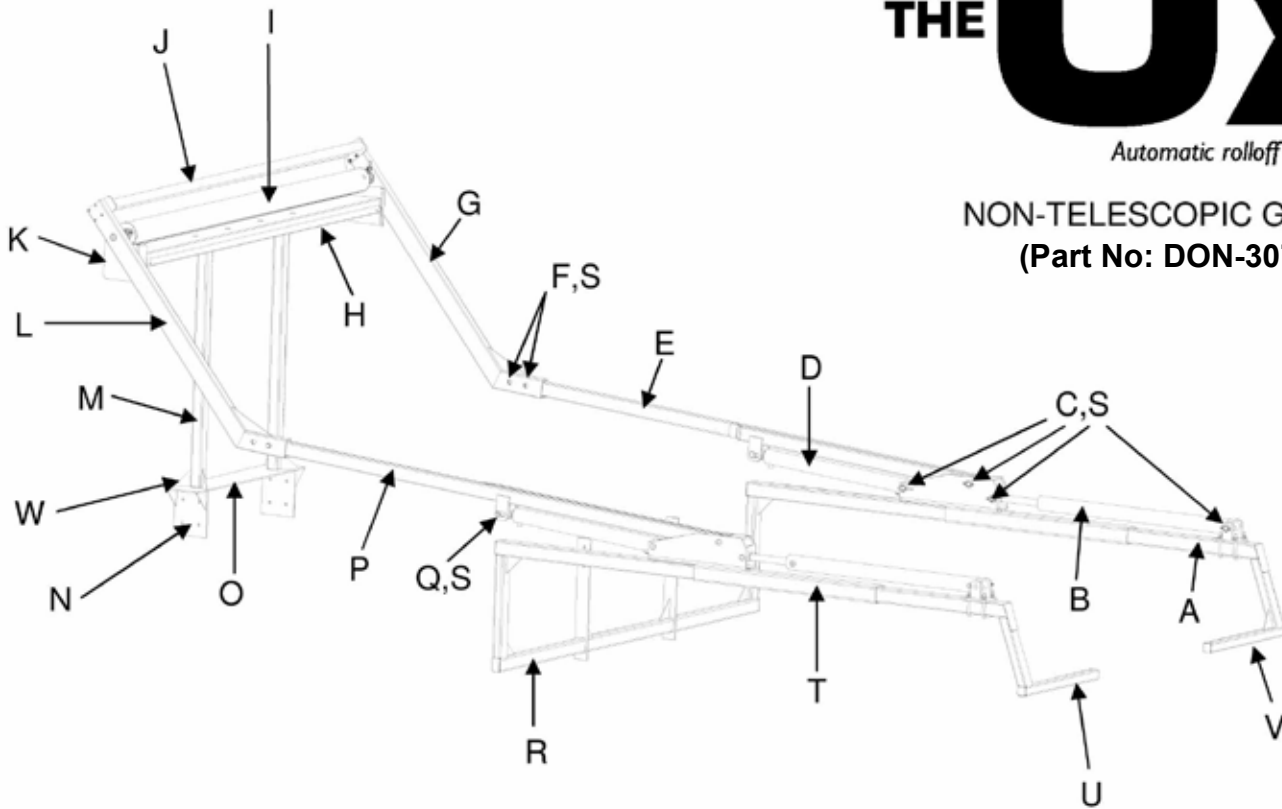




Automatic rolloff tarp system

**NON-TELESCOPIC GANTRY
(Part No: DON-3074)**

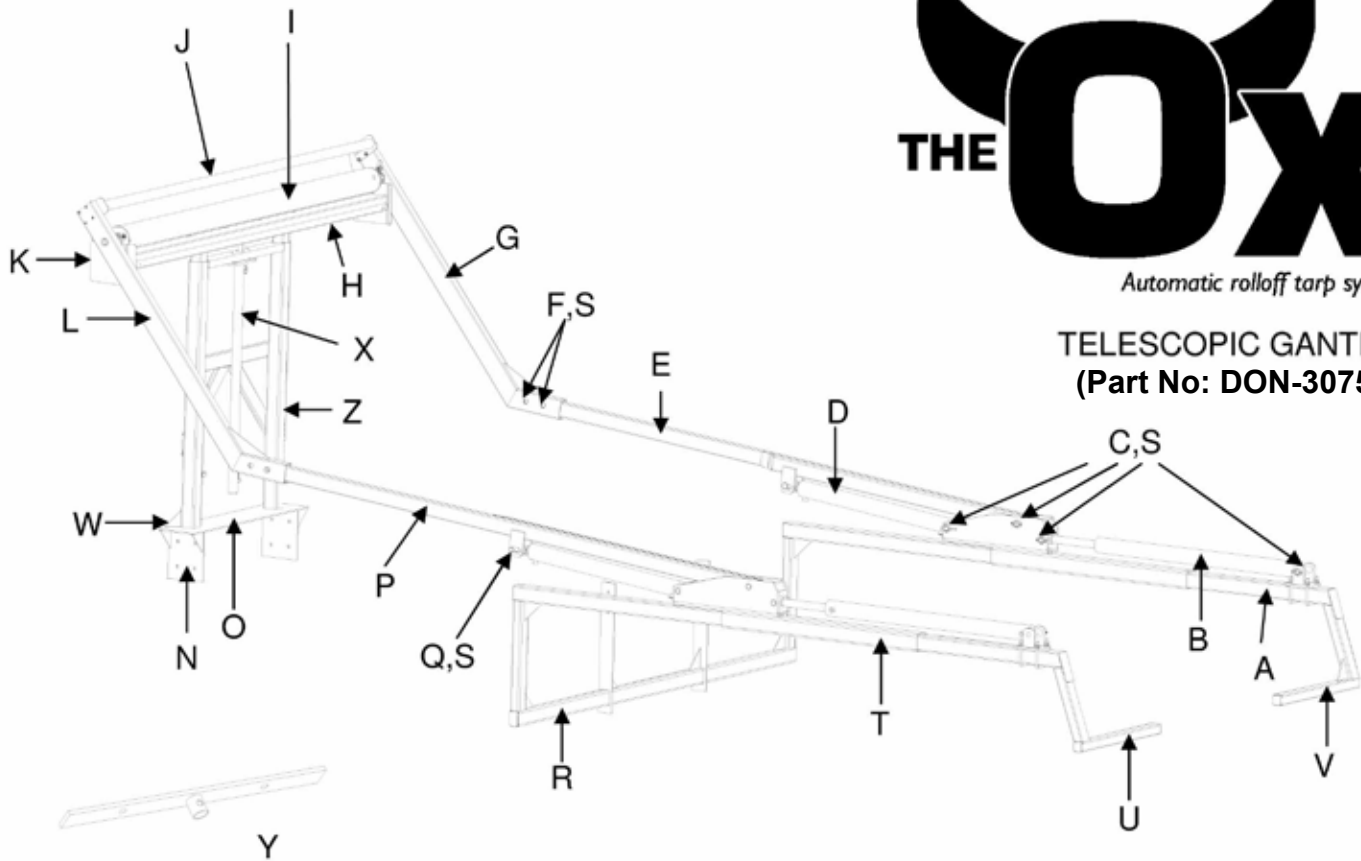


BALLOON	PART NUMBER	QTY	DESCRIPTION
A	3089	2	PIVOT BASE ASSEMBLY
B	3071	2	SLIDE CYLINDER
C	3128	8	PIN (FOR CYLINDERS)
D	3070	2	ARM CYLINDER
E	3136	1	LOWER TARP ARM - RIGHT
F	3131	4	UPPER ARM PIN
G	3154	1	UPPER TARP ARM ASSEMBLY - RIGHT
H	3078	1	TARP TUBE
I	2762	1	ROLLER BAR ASSEMBLY
J	3095	1	OFFSET TORSION BAR ASSEMBLY
K	3068	1	TARP CRADLE ASSEMBLY
L	3149	1	UPPER TARP ARM ASSEMBLY - LEFT
M	4344	1	FIXED GANTRY / INNER STAGE WELDMENT
N	3114	2	GANTRY SUPPORT ASSEMBLY
O	3127	1	GANTRY MOUNTING PLATE
P	3137	1	LOWER TARP ARM - LEFT
Q	3132	2	LOWER ARM PIN
R	3099	1	FRONT BRACE ASSEMBLY
S	3130	14	LOCK RING
T	3079	2	SLIDE MOUNT ASSEMBLY
U	3117	1	REAR SLIDE BRACE ASSEMBLY - LEFT
V	3118	1	REAR SLIDE BRACE ASSEMBLY - RIGHT
W	2870	4	GANTRY GUSSET



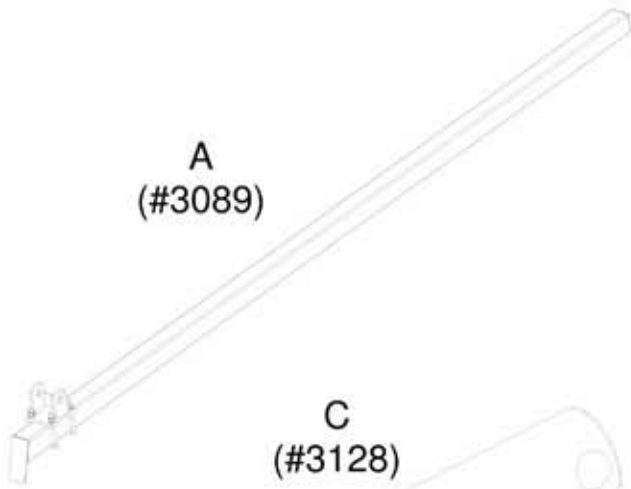
Automatic rolloff tarp system

**TELESCOPIC GANTRY
(Part No: DON-3075)**

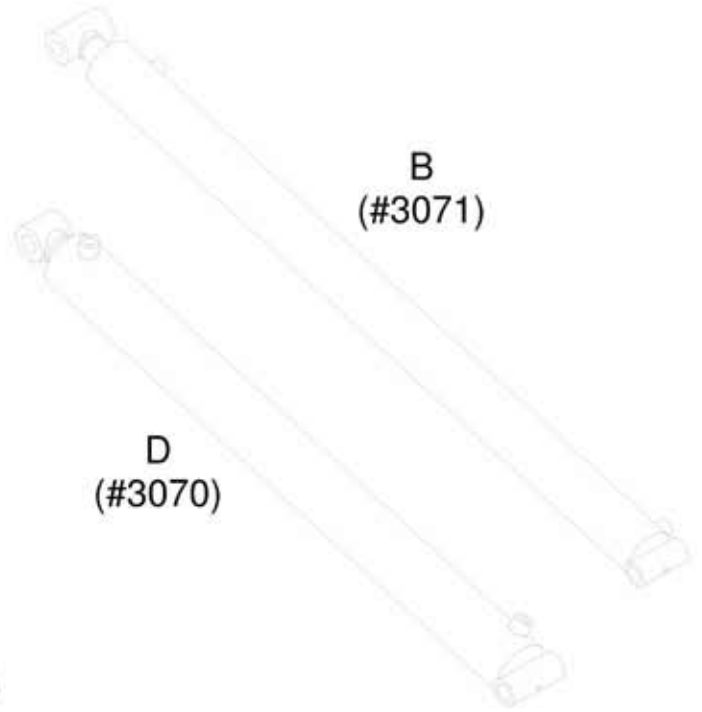


BALLOON	PART NUMBER	QTY	DESCRIPTION
A	3089	2	PIVOT BASE ASSEMBLY
B	3071	2	SLIDE CYLINDER
C	3128	8	PIN (FOR CYLINDERS)
D	3070	2	ARM CYLINDER
E	3136	1	LOWER TARP ARM - RIGHT
F	3131	4	UPPER ARM PIN
G	3154	1	UPPER TARP ARM ASSEMBLY - RIGHT
H	3078	1	TARP TUBE
I	2762	1	ROLLER BAR ASSEMBLY
J	3095	1	OFFSET TORSION BAR ASSEMBLY
K	3068	1	TARP CRADLE ASSEMBLY
L	3149	1	UPPER TARP ARM ASSEMBLY - LEFT
N	3114	2	GANTRY SUPPORT ASSEMBLY
O	3127	1	GANTRY MOUNTING PLATE
P	3137	1	LOWER TARP ARM - LEFT
Q	3132	2	LOWER ARM PIN
R	3099	1	FRONT BRACE ASSEMBLY
S	3130	14	LOCK RING
T	3079	2	SLIDE MOUNT ASSEMBLY
U	3117	1	REAR SLIDE BRACE ASSEMBLY - LEFT
V	3118	1	REAR SLIDE BRACE ASSEMBLY - RIGHT
W	2870	4	GANTRY GUSSET
X	420	1	GANTRY CYLINDER
Y	3395	1	CYLINDER TO HOUSING ADAPTER
Z	4345	1	TELESCOPING GANTRY

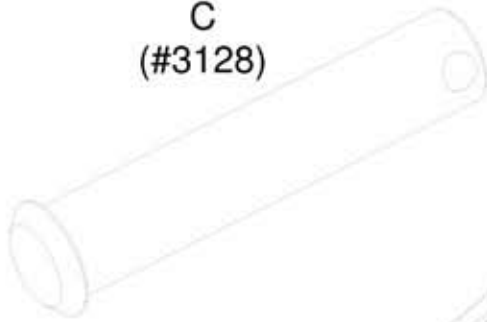
A
(#3089)



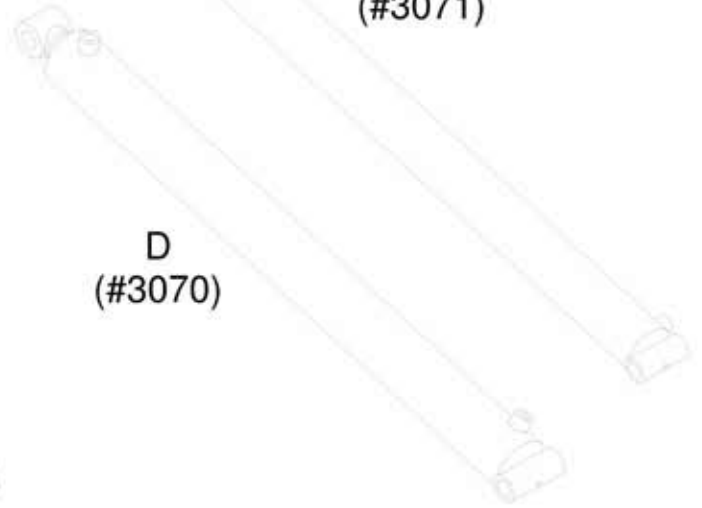
B
(#3071)



C
(#3128)



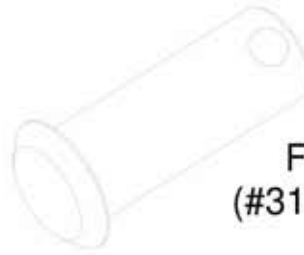
D
(#3070)



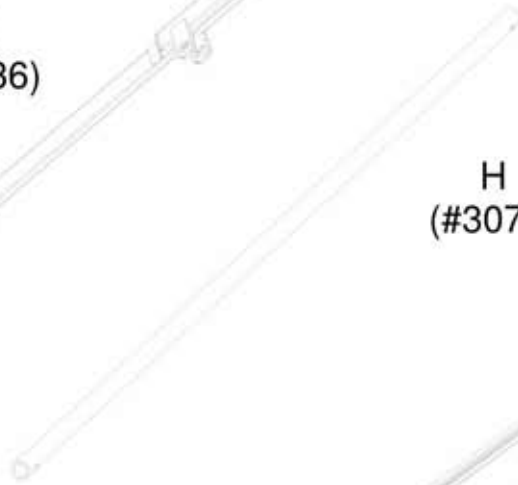
E
(#3136)



F
(#3131)



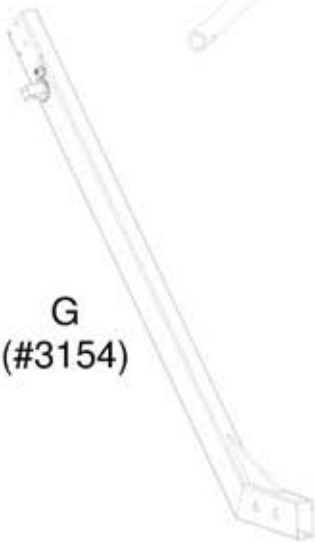
H
(#3078)



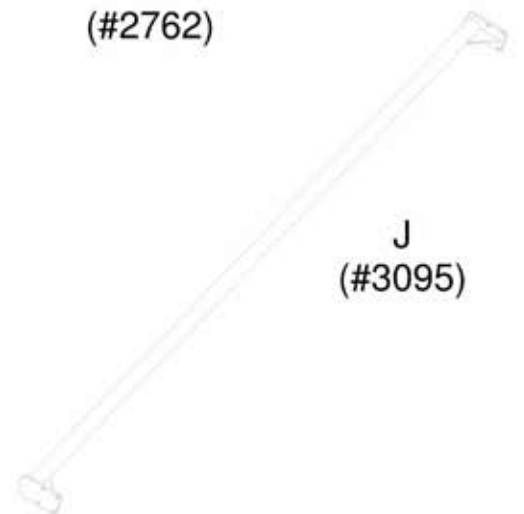
I
(#2762)



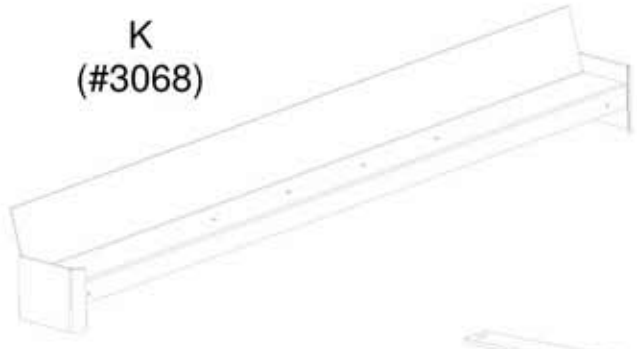
G
(#3154)



J
(#3095)



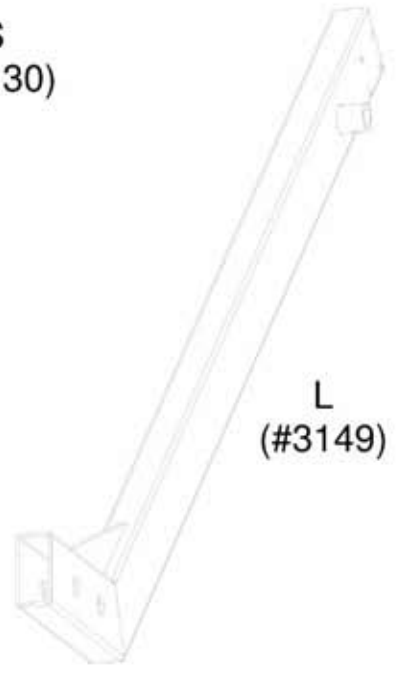
K
(#3068)



S
(#3130)



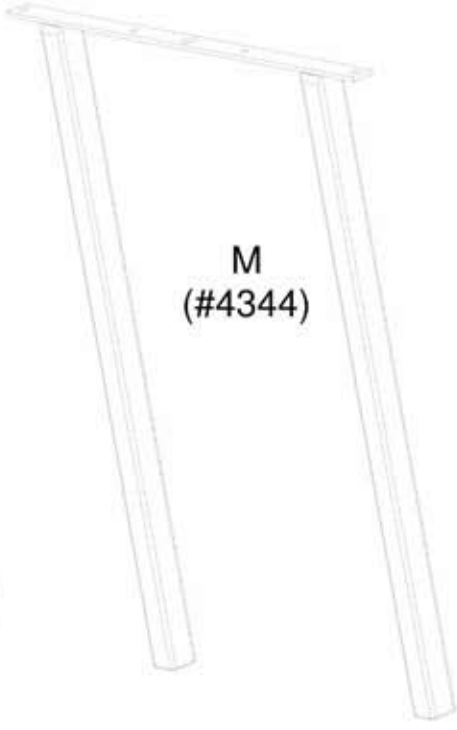
L
(#3149)



N
(#3114)



M
(#4344)



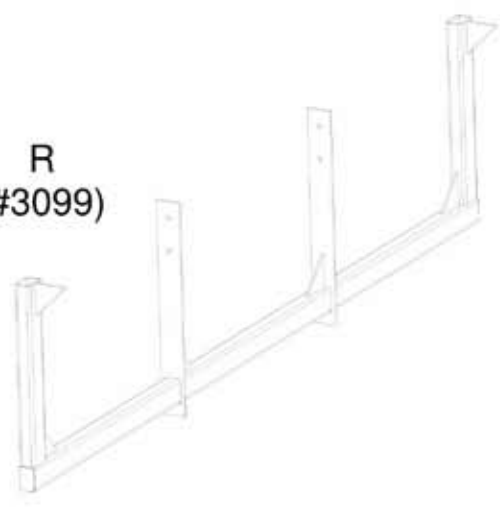
Q
(#3132)



P
(#3137)



R
(#3099)



O
(#3127)

