



**The Serio-us Automatic Lock
Slope Cans-Front Mount
Part No: 101SO61**

Easy Setup

Step 1:

Step 2:

Step 3:



IMPORTANT: Before you begin, please read throughly. Unit can be welded or bolted on. To install by bolting, you will need four 1/2" x 1-1/4" bolts with nuts and washers, a drill with 1/2" bit and two 1/2" wrenches.

NOTE: IMPROPERLY FITTING LIDS

Lids that hang over or have handles that hang over the front of the container may cause complications during mounting and/or operation of the automatic lock.

Step 1: Center lock box on front of container in locked position. (FIG A.)
Leave at least a 1/4" gap between lock bar and lids. (FIG B.)

Step 2: Turn customer access lever away from container and rotate pivot arms to the unlock position (FIG C.). Make sure lids will clear lock bar.

Step 3: Rotate pivot arms back to original (locked) position (FIG B.). Check that neither lock bar nor pivot arms are resting on lids or container. Clamp or hold lock box in place. Weld on or drill holes and bolt.



FIG A.

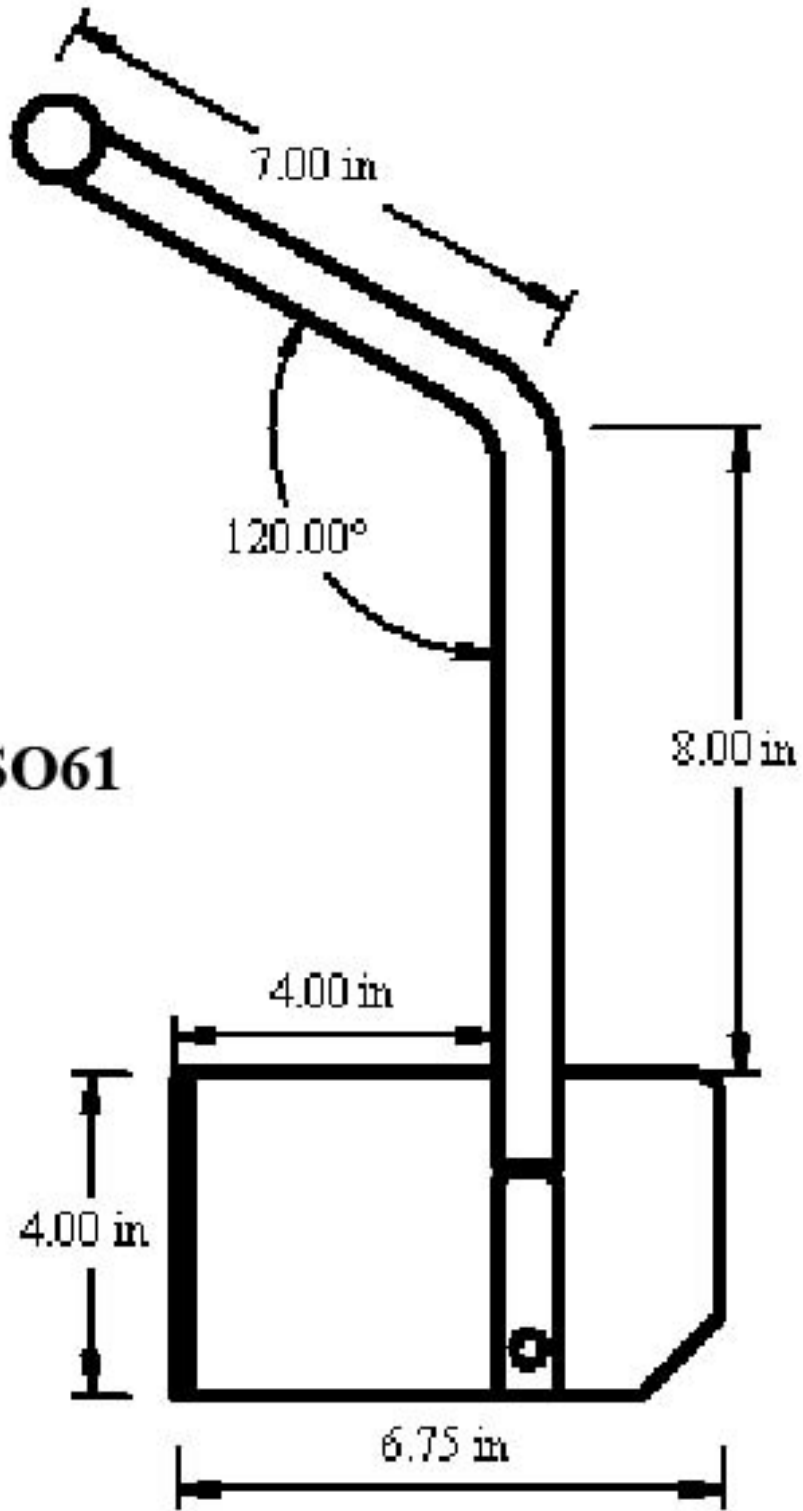


FIG B.



FIG C.

Holtz Industries, Inc.
Call Us Toll Free: 1-800-535-0104



Part No: 101SO61

Holtz Industries, Inc.
Call Us Toll Free: 1-800-535-0104

Driver Instructions

The driver's job is simple. Just stay in the truck and lift the can as if the lock were not there. The lock opens and closes automatically during the normal dump cycle.

Customer Instructions

The Serio-us Automatic Dumpster Lock is designed to accommodate any standard padlock. The customer supplies his or her own padlock to keep the container locked while it is on the ground. To open the container, the customer removes the padlock, rotates the manual release lever, pulls the lock bar back, and opens the lid. To close the container, the steps are reversed.

Installation Instructions

Welding

Hold the lock in place with one hand at the center of the dumpster, with 1 inch clearance between the lock bar and the top of the lids. Tack weld to hold in place. Then ensure that lids will open properly by rotating the manual release lever while pulling the lock bar back, and opening the lid. After determining that lids will open, finish welding the lock to the container.

Bolt On

Hold the lock in place with one hand at the center of the dumpster, with 1 inch clearance between the lock bar and the top of the lids. Mark four bolt holes on the front of the container. Holding the lock in place, ensure that lids will open properly by rotating the manual release lever, pulling the lock bar back and opening the lid. After determining that the lids will open, remove the lock and drill the holes. Return the lock to the original position, and secure with bolts.

Holtz Industries, Inc.
Call Us Toll Free: 1-800-535-0104