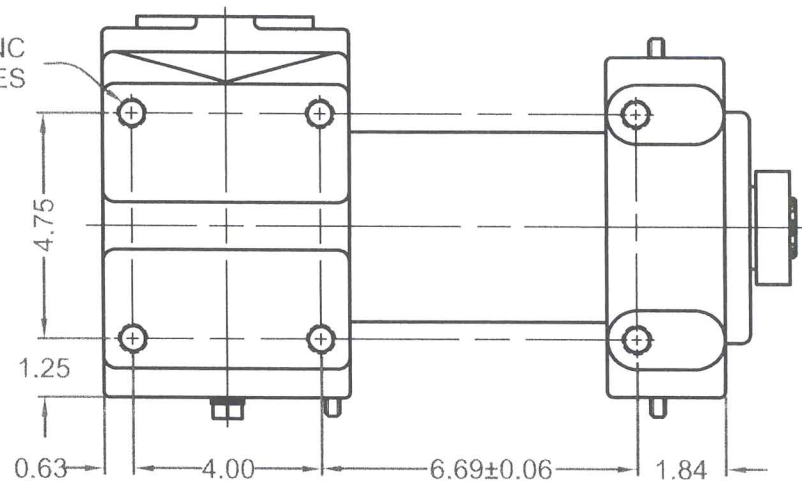
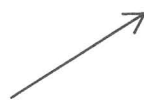


$\frac{5}{8}$ -11UNC
(6) PLACES



Motor is turned toward drum