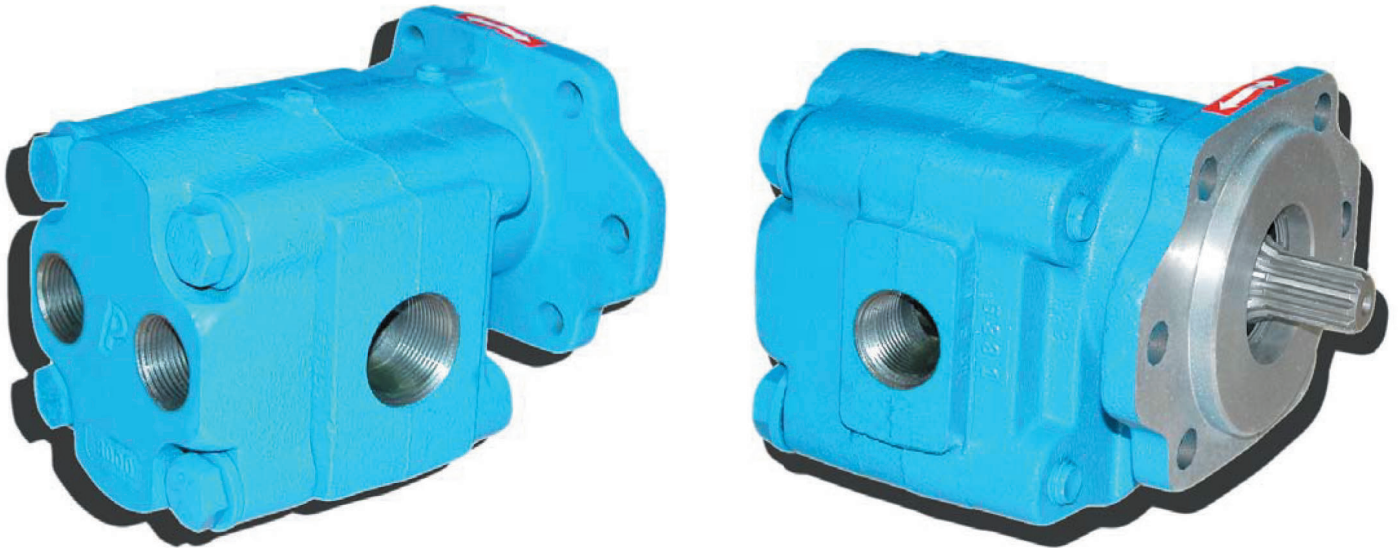


PERMCO

2100

2100

COMPACT SMALL DISPLACEMENT ROLLER BEARING SERIES



STANDARD UNIT COMBO PORTS/COMBO FLANGE
PUMP/MOTOR

FEATURES

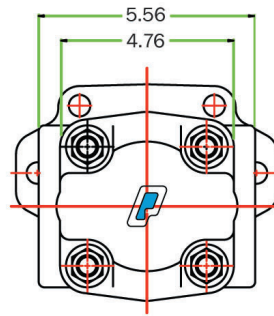
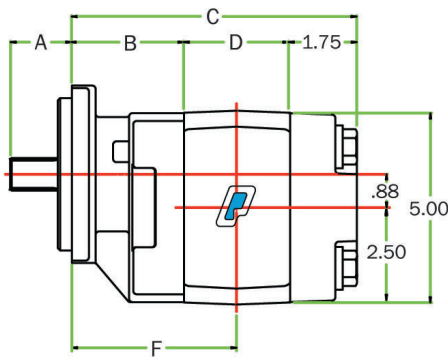
- Standard features include SAE-B-2&4 bolt mounting flange, SAE-B-spline shaft, both side and rear ports and setup for pump/motor dual rotation applications
- A wide range of porting, mounting and shaft options available
- Roller bearing design in a compact small frame size
- Doweled and high strength cast iron construction
- Low weight: 34.5 pounds with a 2" gear, Type II
- Flows up to 39 GPM
- Working pressure up to 3000 PSI
- Speeds up to 2400 RPM
- Cubic inch displacements from 1.00 through 4.00
- Special ring seals and pressure balanced wear plates maintain high pump and motor efficiency throughout all operating ranges
- 100% factory tested per application specifications



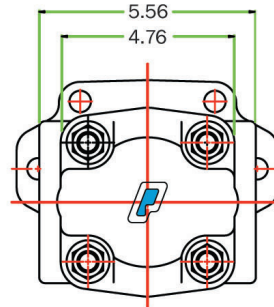
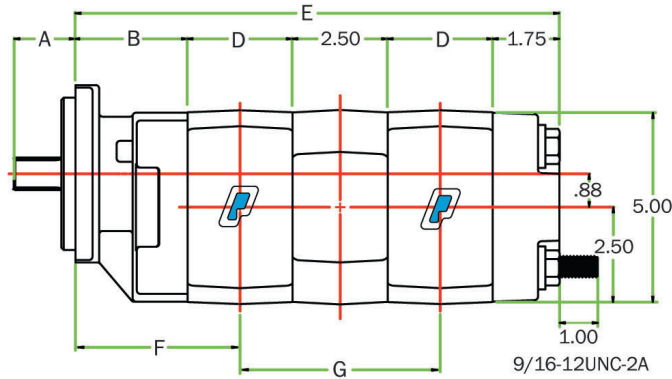
The Sensible Choice

Holtz Industries, Inc. | 200 S. Terrace Ct. | Newark, OH 43055
Toll Free: 1-800-535-0104 | Fax: 740-366-0771

Dimensional Data (inches)



- A. SAE "B" shaft shown, other shafts available
- B. 2.94" Type I, 1.82" Type II
- C. 5.44" Type I, 4.32" Type II plus gear width
- D. .75" plus gear width
- E. 8.69" Type I, 7.57" Type II plus total gear width
- F. 3.31" Type I, 2.19 Type II plus half front gear width
- G. 3.25" plus half total gear width



Specifications

Gear Pumps

Displacement IN ³ /rev	Output GPM 1000 RPM 2000 PSI	Gear Width Inch	Combo/Box Unit		Max Pressure PSI	Working Speed RPM		Input HP 1000 RPM 2000 PSI
			Port Size NPT Side	Rear		Max	Min	
1.00	**	1/2"	1/2"	1"	3000	2400	600	**
1.50	**	3/4"	3/4"	1"	3000	2400	600	**
2.00	6.5	1"	1"	1"	3000	2400	600	11.6
2.50	8.5	1-1/4"	1"	1"	3000	2400	600	15.0
3.00	11.0	1-1/2"	1-1/4"	1"	3000	2400	600	18.3
3.50	12.5	1-3/4"	1-1/4"	1"	2500	2400	600	21.1
4.00	15.0	2"	1-1/4"	1"	2500	2400	600	24.4

Gear Motors

Displacement IN ³ /rev	Input GPM 1000 RPM 2000 PSI	Gear Width Inch	Combo/Box Unit		Max Pressure PSI	Output Speed RPM		Output HP 1000 RPM 2000 PSI	Output Torque In. Pounds 1000 RPM 2000 PSI
			Port Size NPT Side	Rear		Max	Min		
1.00	**	1/2"	1/2"	1"	3000	2000	600	**	**
1.50	**	3/4"	3/4"	1"	3000	2000	600	**	**
2.00	12.0	1"	1"	1"	3000	2000	600	9.0	570
2.50	14.0	1-1/4"	1"	1"	3000	2000	600	11.5	730
3.00	16.5	1-1/2"	1-1/4"	1"	3000	2000	600	14.0	895
3.50	19.0	1-3/4"	1-1/4"	1"	2500	2000	600	16.5	1035
4.00	21.0	2"	1-1/4"	1"	2500	2000	600	18.6	1175

** Performance dependent upon application parameters: Consult Factory

In accordance with our policy of continued product development, we reserve the right to change specifications without notice. The data is average test data and should not be misconstrued to represent performance of each units.

Holtz Industries, Inc. | 200 S. Terrace Ct. | Newark, OH 43055
Toll Free: 1-800-535-0104 | Fax: 740-366-0771