

**RayView Back-Up  
Safety System Camera  
Part No: RC-CC2000A**

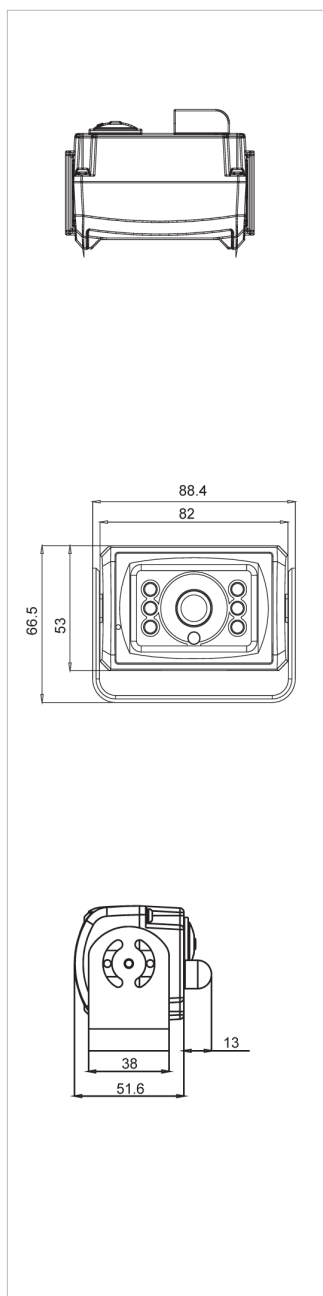
**Rear Vision Camera**

Part No: RC-CC2000A



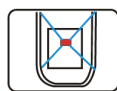
- Fisheye distortion correction.(HS-CC200F)
- 1/3" Format Camera.
- Sony CCD image.
- DC Power Source: DC12V.
- 420 TV lines horizontal resolution.
- Automatic Gain Control.
- Aluminum Die-Cast Chassis.
- Compact, Solid-state Body in Lightness.
- IR LED / Auto turn by photo diode sensor.
- View Angle: H:122° V:91°.
- Class IP67 Weatherproof.

**Dimension** Unit : mm

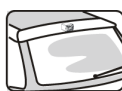


**Specifications**

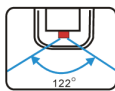
Model	Part No: RC-CC2000A
Pick up device	1/3" interline transfer CCD
Total Pixels	NTSC:537(H) x 505(V) / PAL:537(H) x 597(V)
Effective Pixels	NTSC:510(H) x 492(V) / PAL:500(H) x 582(V)
Resolution	420 TV lines
Synchronizing System	Internal
Scanning System	2:1 Interlace
S/N Ratio	More than 45 dB (AGC OFF)
Electronic Shutter	Auto 1/60 (1/50) ~1/100,000 sec.
Min. Illumination	0Lux (F2.0) with IR LED ON
Video Output	Composite 1.0 Vp-p / 75 ohm
Automatic Gain Control	ON
Aperture Correction	Yes
Frequency Horizontal	NTSC: 15.734 KHz ; PAL: 15.625 KHz
Frequency Vertical	NTSC: 59.94Hz ; PAL: 50Hz
IR Trigger	<9±3 Lux ON ; >9±3 Lux OFF
LED Angle	4 PCS 70° / 2PCS 50° total 6PCS LED
Lens Type	2.27mm F2.0
View Angle	H:122° V:91°
Audio Out	700mV (10k OHM)
Power Source	DC12V
Power Consumption	3W (IR ON)
Current	250mA (Max IR ON)
Operating Temperature	-20°C ~ 70 °C (-4°F ~ 158 °F )
Storage Temperature	-30°C ~ 80 °C (-22°F ~ 176 °F)
Dimension	88.4(W) x 66.5(H) x 51.6(D)mm
Weatherproof	IP67



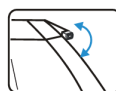
Indoor Surveillance



Back Remote



Horizontal View Angle



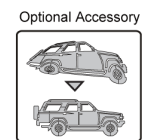
Vertical Angle Adjustment



Rear View & Surveillance



Vertical View Angle



Fisheye distortion correction (HS-CC200F)