

**RayView Back-Up
Camera Safety
System Camera
Part No: RC-CC2100**

Side Vision Camera

Part No: RC-CC2100

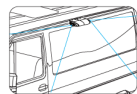
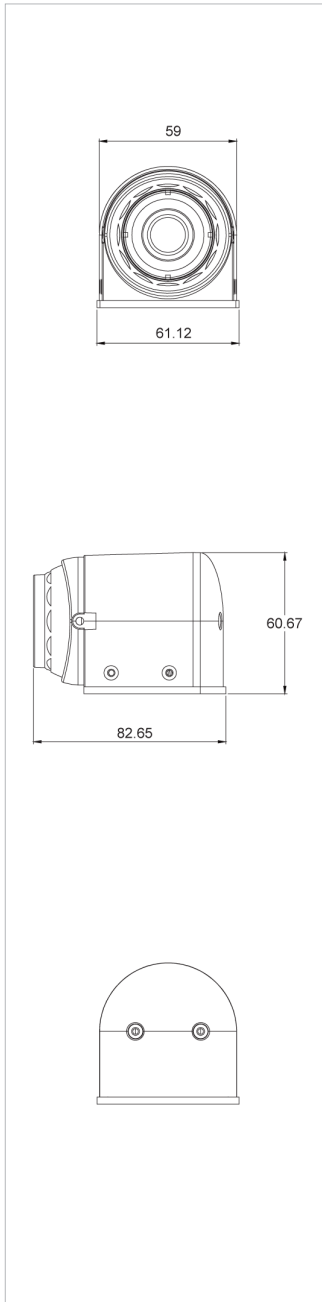


- 1/4" Format Camera.
- Sharp CCD image.
- 380 TV lines horizontal resolution.
- DC Power Source: DC12V.
- Automatic Gain Control .
- Aluminum Die-Cast Chassis.
- Compact, Solid-state Body.
- IR LED/ Auto turn by photo diode sensor.
- View Angle: 73°.
- Class IP67 Weatherproof.

Specifications

Model	
Pick up device	1/4" interline transfer CCD
Total Pixels	NTSC:537(H) x 505(V) / PAL:537(H) x 597(V)
Effective Pixels	NTSC:510(H) x 492(V) / PAL:500(H) x 582(V)
Resolution	380 TV lines
Synchronizing System	2:1 Interlace
S/N Ratio	More than 45 dB (AGC OFF)
Electronic Shutter	Auto 1/60 (1/50) ~1/100,000 sec.
Min. Illumination	0Lux (F2.0) with IR LED ON
Video Output	Composite 1.0 Vp-p / 75 ohm
Automatic Gain Control	ON
Aperture Correction	Yes
Frequency	Horizontal : NTSC: 15.734 KHz ; PAL: 15.625 KHz Vertical : NTSC: 59.94Hz ; PAL: 50Hz
IR Trigger	<9±3.2 Lux ON ; >9±3.75 Lux OFF
LED Angle	12 PCS 35°
Lens Type	2.9mm F2.0
View Angle	73°
Power Source	DC12V
Power Consumption	2.0W (IR ON)
Current	160mA (Max IR ON))
Dimension	61.12(W) x60.67 (H) x 82.65(D)mm
Operating Temperature	-20°C to 70°C (-4°F to 158°F)
Storage Temperature	-30°C to 80°C (-22°F to 176°F)
Weatherproof	IP67

Dimension Unit : mm



Side front & Back View

