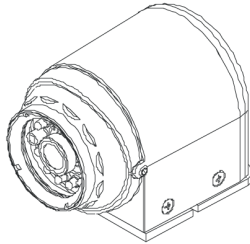


**RayView Back-Up Safety
System Side View Camera
Color CCD Camera**

INSTRUCTION MANUAL

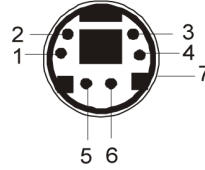


Part No: RC-CC2100

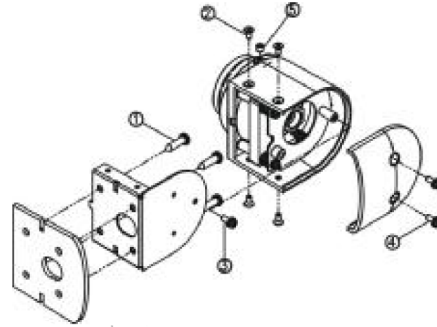
Product Feature

- For Use With 1/4" Format Camera
- Min. Illumination 0Lux (F2.0) / IR LED ON
- With 380 TV Lines Horizontal Resolution
- Auto White Balance
- Electronics Shutter Control 1/60 (1/50) ~1/100,000 sec.

CABLE PIN FUNCTION



1	Audio
2	Power
3	Video
4	GND
5	NIL
6	NIL
7	NIL



Fix the rubber in a proper position on the surface of vehicle body, then, follow the step of 1, 2, 3, 4, 5 for installation.

Specification

Pick up device	1/4" interline transfer CCD
Total Pixels	NTSC:537(H) x 505(V) / PAL:537(H) x 597(V)
Effective Pixels	NTSC:510(H) x 492(V) / PAL:500(H) x 582(V)
Resolution	With 380 TV lines
Sync. System	Internal
Scanning System	2:1 Interlace
S/N Ratio	More than 45 dB (AGC OFF)
Electronic Shutter	Auto Electronic Shutter 1/60 (1/50) ~1/100,000 sec.
Min. Illumination	0Lux (F2.0) / IR LED ON
Video Output	Composite 1.0 Vp-p / 75 ohm
Automatic Gain Control	ON
Aperture Correction	Yes
Frequency Horizontal	NTSC: 15.734 KHz; PAL: 15.625 KHz
Frequency Vertical	NTSC: 59.94Hz; PAL: 50Hz
IR Operation range	7 ± 3 Lux IR ON / OFF
LED Angle	12 PCS 35°
Lens Mount Type	2.9mm F2.0 / 6mm (option)
View Angle	H: 73° V:56°
DC power Source	DC9.6~12V
Power Consumption	2.0W (Max IR ON)
Current	160mA (max IR ON)
Audio Out	700mV (10k OHM)
Dimension	61.12(W) x 60.67(H) x 82.65(D)mm
Operation Temperature	-20 to 70°C (-4 to 158°F)
Storage Temperature	-30 to 80°C (-22 to 176°F)

Dimension

