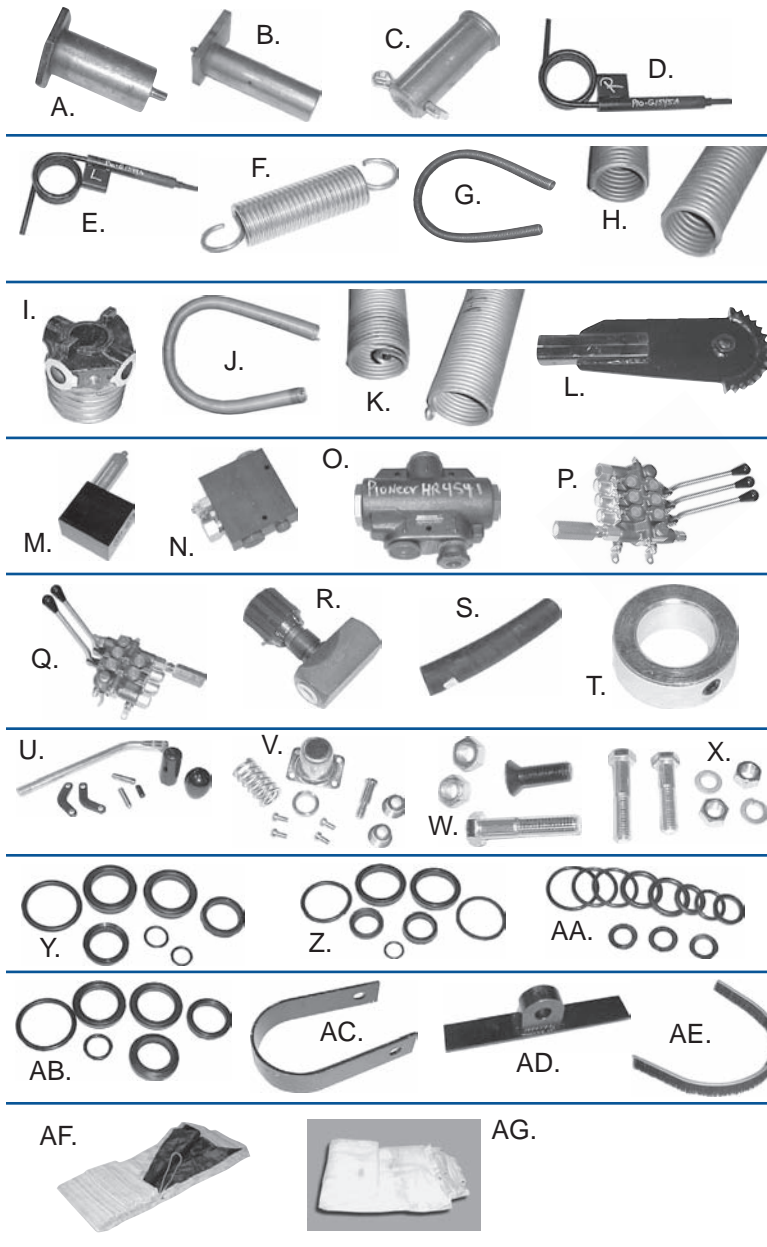


Holtz Industries, Inc

Replacement Pioneer Parts-Call For A Quote Today



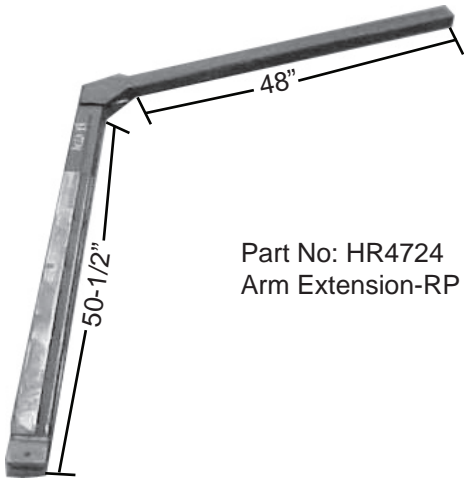
- A. Part No: A3881
Pin
- B. Part No: H7018
Pin
- C. Part No: H7062
Clevis Pin
- D. Part No: G1545A
Spring Kit
- E. Part No: G1544A
Spring Kit
- F. Part No: G2014
Cover Spring
- G. Part No: H7008A
Spring for Roller
- H. Part No: H7008A
End View
- I. Part No: H7005D
Cone
- J. Part No: H7008
Spring for Roller
- K. Part No: H7008
End View
- L. Part No: A40004A
Rack Gear Assembly
- M. Part No: HR7040-1
Valve Divider
- N. Part No: HR2055-1
Flow Diverter Valve
- O. Part No: HR4541
Diverter Valve
- P. Part No: HR4542A
3-Spool Valve
- Q. Part No: HR4542
2-Spool Valve
- R. Part No: HR4718
Flow Control
- S. Part No: HR4532
Cushion
- T. Part No: HR4626/4
Shaft Collar
- U. Part No: HR4542B
Handle Kit for Valve
- V. Part No: HR4542J
Spring Kit for Valve
- W. Part No: HR4710-BKIT
Bolt Kit
- X. Part No: H7039-BKIT
Bolt Kit
- Y. Part No: H7200
Seal Kit for H7039
Cylinder
- Z. Part No: HR4719A
Seal Kit for HR4719
Cylinder
- AA. Part No: HR4542K
Seal Kit for Valve
Per Spool
- AB. Part No: HR4579A
Seal Kit for HR4579
Cylinder
- AC. Part No: HR4731
Clamp
- AD. Part No: HR4590A
Plate with Eye Pad
- AE. Part No: HR4726
Brush-RP
- AF. Part No: HR4616
Tarp-Roller On Arms
- AG. Part No: HRG2063
Tarp-Roller on Gantry

*Remember...Our Inventory
Is HUGE!
Call Us To See If We Have
What Your Looking For
IN STOCK!*

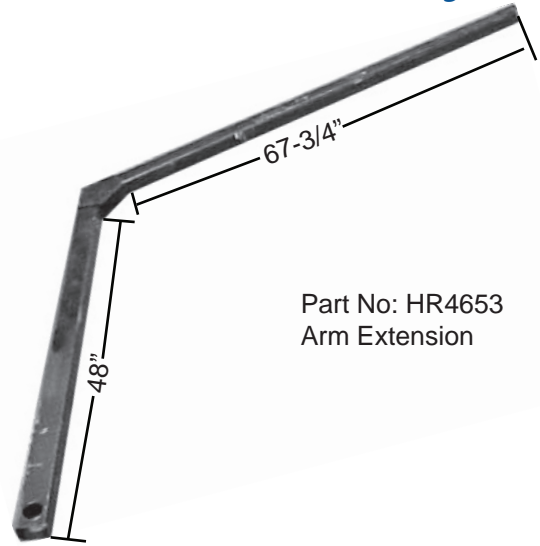
1-800-535-0104 or 1-800-499-7537

Holtz Industries, Inc

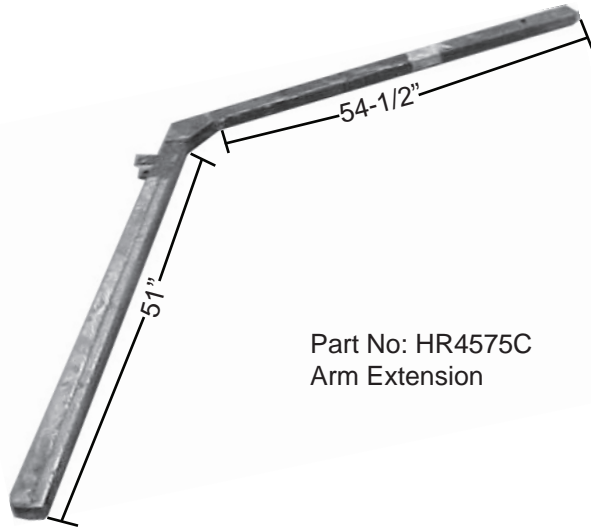
Replacement Pioneer Parts-Call For A Quote Today



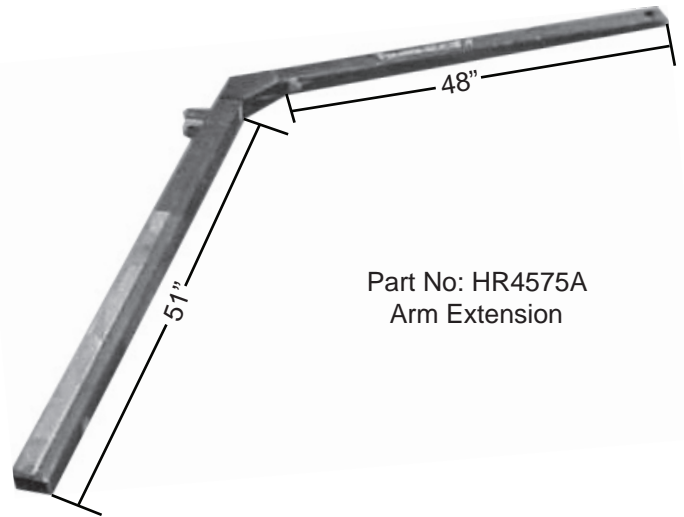
Part No: HR4724
Arm Extension-RP



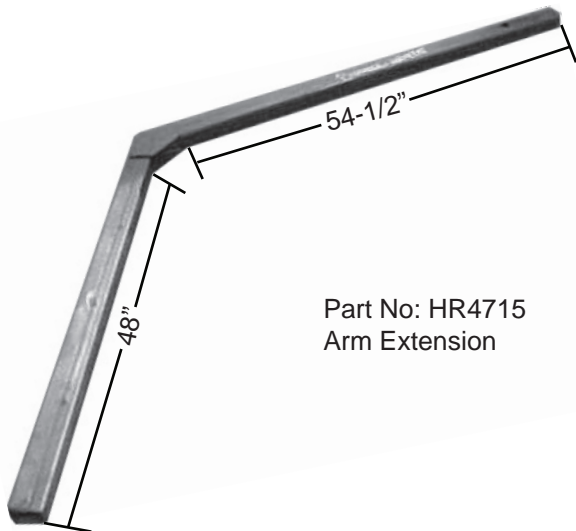
Part No: HR4653
Arm Extension



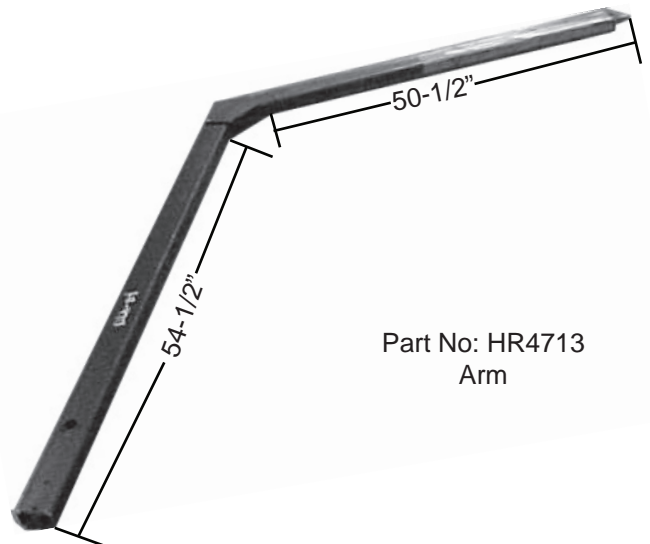
Part No: HR4575C
Arm Extension



Part No: HR4575A
Arm Extension



Part No: HR4715
Arm Extension

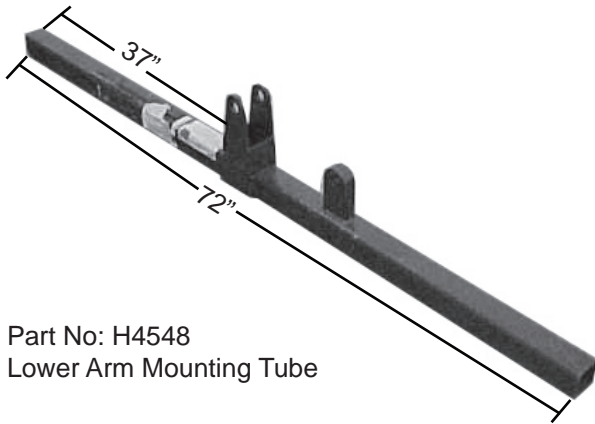


Part No: HR4713
Arm

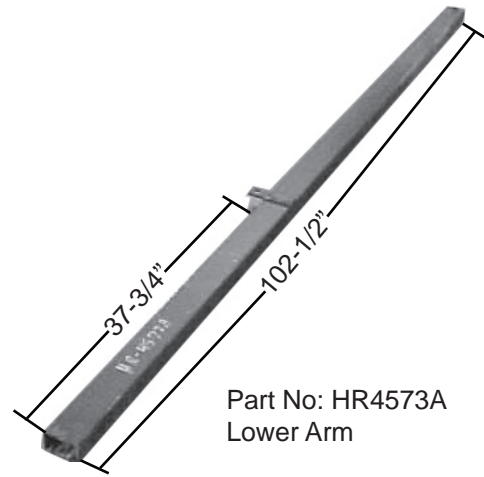
1-800-535-0104 or 1-800-499-7537

Holtz Industries, Inc

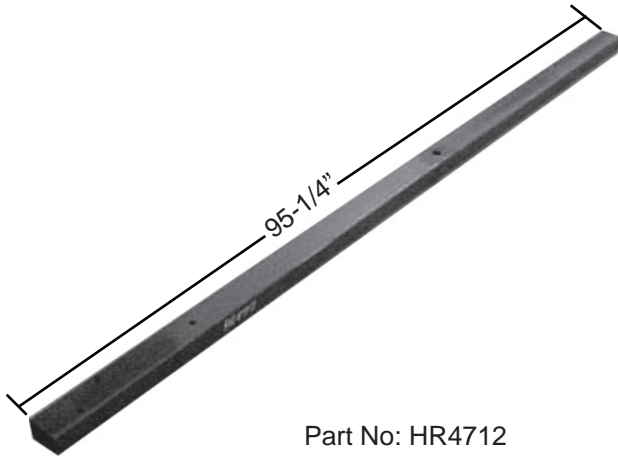
Replacement Pioneer Parts-Call For A Quote Today



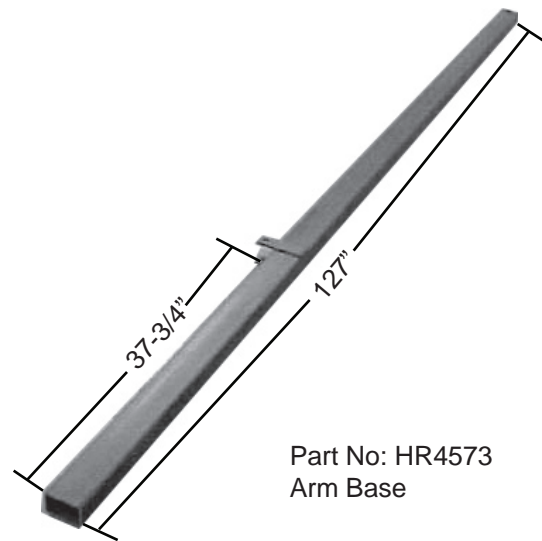
Part No: H4548
Lower Arm Mounting Tube



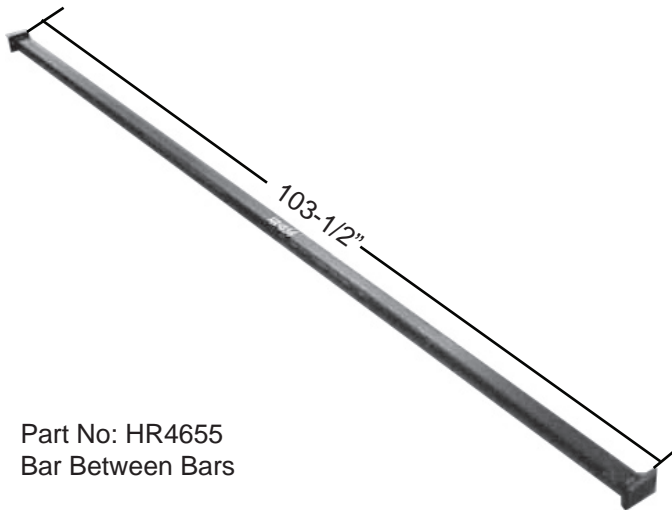
Part No: HR4573A
Lower Arm



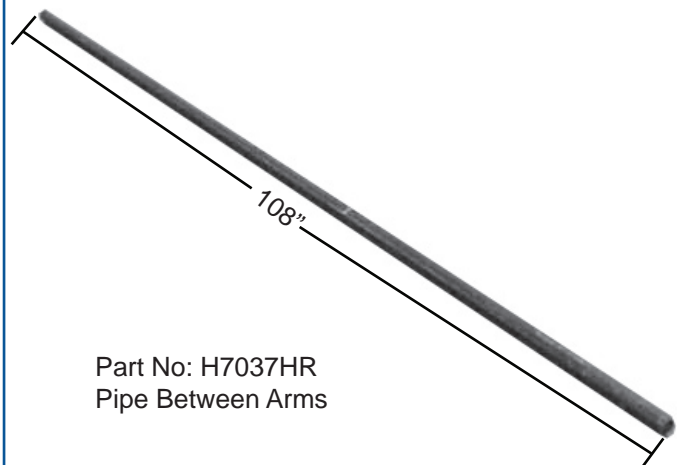
Part No: HR4712
Arm Base-RP



Part No: HR4573
Arm Base



Part No: HR4655
Bar Between Bars

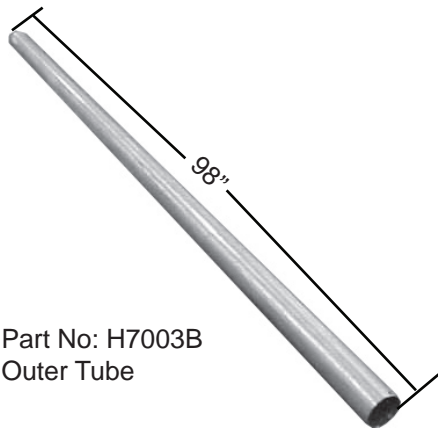


Part No: H7037HR
Pipe Between Arms

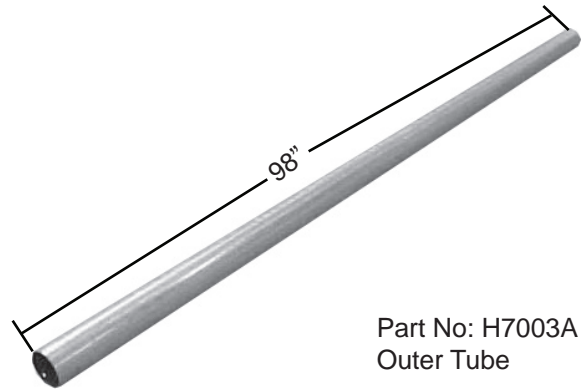
1-800-535-0104 or 1-800-499-7537

Holtz Industries, Inc

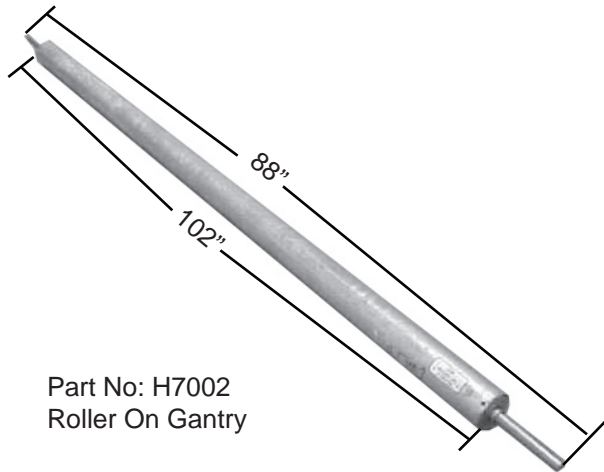
Replacement Pioneer Parts-Call For A Quote Today



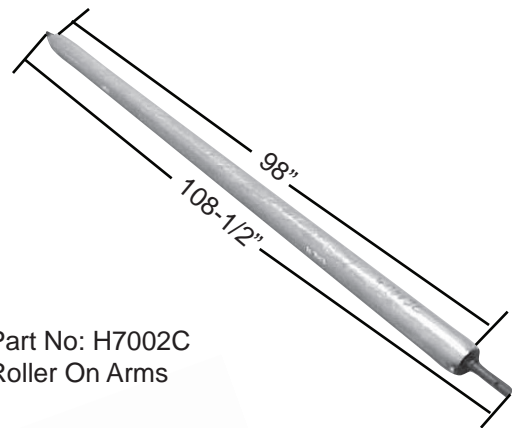
Part No: H7003B
Outer Tube



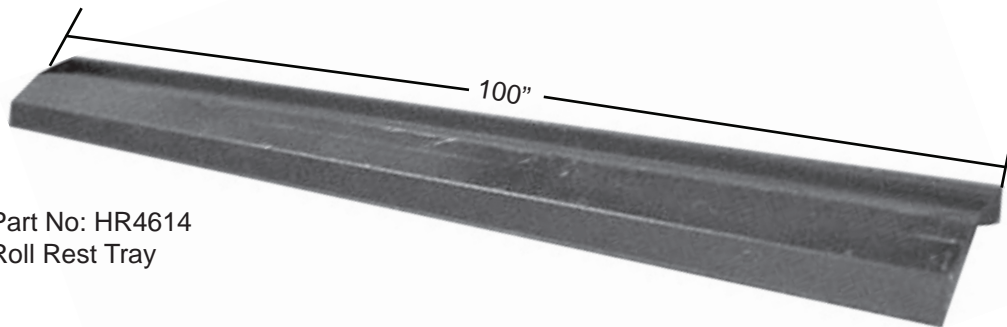
Part No: H7003A
Outer Tube



Part No: H7002
Roller On Gantry



Part No: H7002C
Roller On Arms



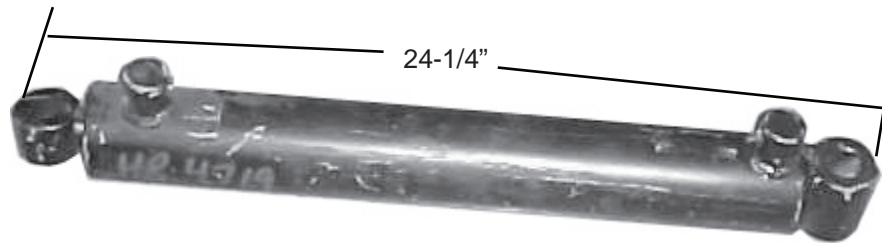
Part No: HR4614
Roll Rest Tray

Don't Forget We Have A Website-Be Sure To Log On
www.holtzindustries.com

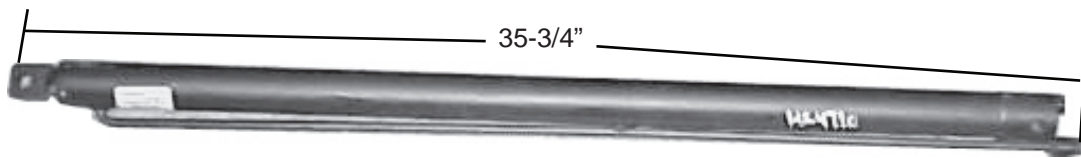
1-800-535-0104 or 1-800-499-7537

Holtz Industries, Inc

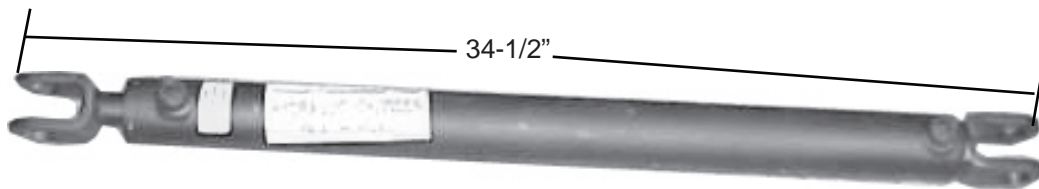
Replacement Pioneer Parts-Call For A Quote Today



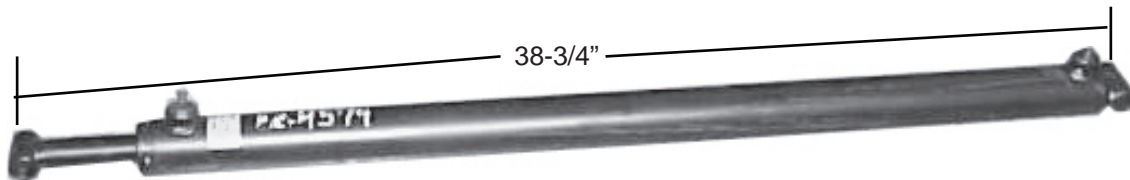
Part No: HR4719
Cylinder-Tarp Cover RP



Part No: HR4710
Cylinder Ext. Arm RP



Part No: H7039
Cylinder



Part No: HR4579
Cylinder Ext. Arm



Part No: HR4520
Cylinder-36" Gantry Lift

*All Cylinder Measurements Are
Center To Center On Holes*

1-800-535-0104 or 1-800-499-7537