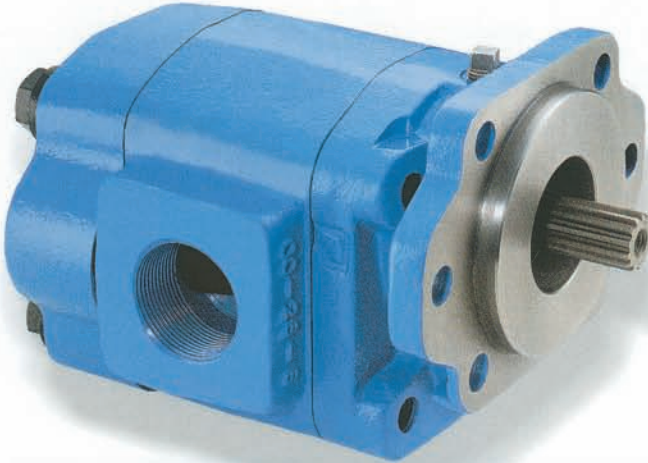


# PERMCO

# P5151 SERIES

## PUMPS AND MOTORS



### 5151 SERIES FEATURES

**BI-ROTATIONAL PUMP/MOTOR** - The 5151 series is designed to be bi-rotational to fit a wide variety of applications, allowing for lower inventory costs.

**DUAL PORTED** - With large side and rear ports the 5151 is versatile and will often fit where space is at a premium. Over the years Permco has made "specials" that included larger side ports and port end covers that allowed for large rear ports, when cavitation was a potential problem. The 5151 series includes a specially designed housing that accommodates larger side ports and a larger port end cover that allows for full 1 1/2" NPT rear ports, all as standard features.

**CONTROLLED STRESS BEARINGS** - The 5151 series incorporates Permco's recently introduced "controlled stress" bearings for a longer lasting and even more reliable pump and motor. Use of this bearing means up to 30% longer life than competitive units.

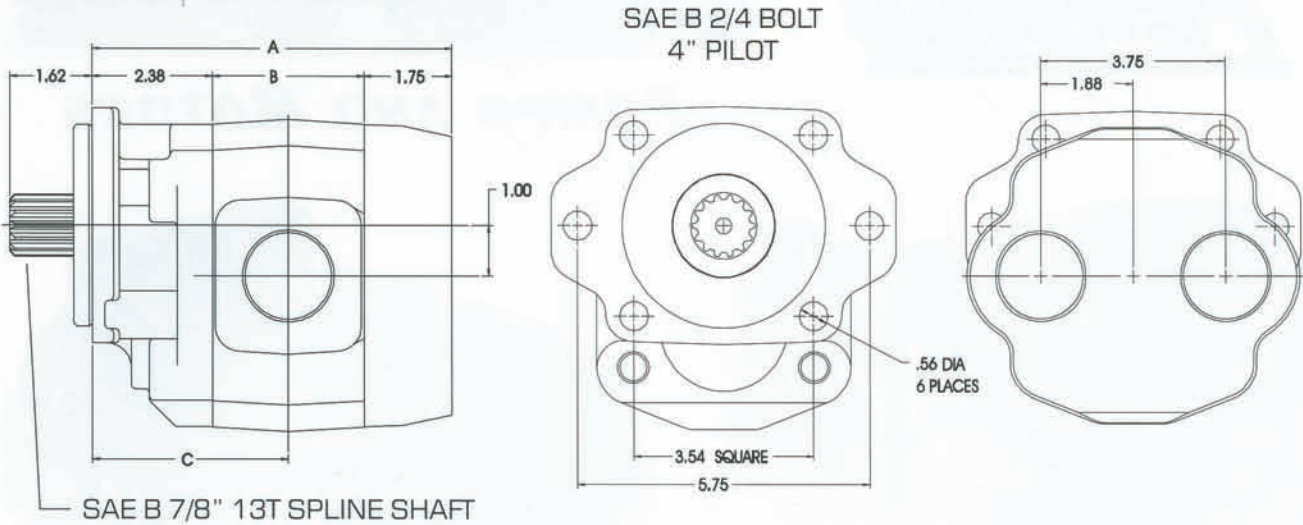
**PROVEN RELIABILITY** - The 5151 series is a freshening of the P5000/5100 frame that has been used for many years and has proven itself to be reliable.

**OPTIONS** - The 5151 series comes with a wide variety of options to fit almost any application.



## The Sensible Choice

## Dimensional Data (inches)



## Product Information

Type II (shown above)	A	B	C	Displ. Cu.In.	Theo. GPM 1000 RPM	Avg. GPM 1000 RPM	NPT Ports Side	NPT Ports Rear	Max RPM#	Peak PSI
(P)5151A224AAXK17-54	6.63	2.50	3.63	4.50	19	17.5	1-1/4	1-1/2	3000	3000
(P)5151A224AAXK20-54	6.88	2.75	3.75	5.15	23	19.5	1-1/4	1-1/2	3000	3000
(P)5151A224AAXQ22-54	7.13	3.00	3.88	5.70	25	21.0	1-1/2	1-1/2	3000	3000
(P)5151A224AAXQ25-54	7.38	3.25	4.00	6.43	27	23.5	1-1/2	1-1/2	3000	3000

(P) for Pump (M) for Motor  
 # Maximum Inlet Vacuum 5 In. Hg.

Type I*	A	B	C	Displ. Cu.In.	Theo. GPM 1000 RPM	Avg. GPM 1000 RPM	NPT Ports Side	NPT Ports Rear	Max RPM#	Peak PSI
(P)5151A***AAXK17-14*	7.63	2.50	4.63	4.50	19	17.5	1-1/4	1-1/2	3000	3000
(P)5151A***AAXK20-14*	7.88	2.75	4.75	5.15	23	19.5	1-1/4	1-1/2	3000	3000
(P)5151A***AAXQ22-14*	8.13	3.00	4.88	5.70	25	21.0	1-1/2	1-1/2	3000	3000
(P)5151A***AAXQ25-14*	8.38	3.25	5.00	6.43	27	23.5	1-1/2	1-1/2	3000	3000

(P) for Pump (M) for Motor  
 \* Consult the Design Engineer's Handbook or the Permco Code Books for more details and options for Type I Shaft End Covers and Shafts.  
 # Maximum Inlet Vacuum 5 In. Hg.