

# PERMCO

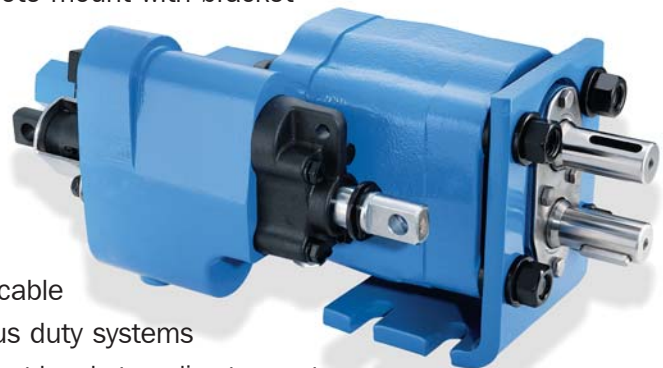
# DUMP PUMPS

*PUMP/VALVE ASSEMBLY FOR HEAVY AND MEDIUM DUTY DUMP TRUCKS AND TRAILERS*



## *DUMP PUMP FEATURES*

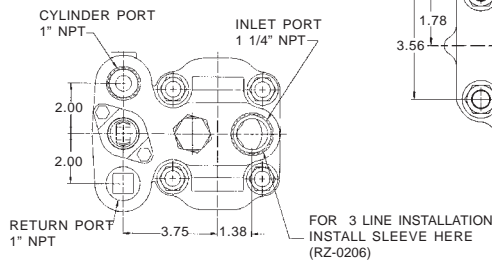
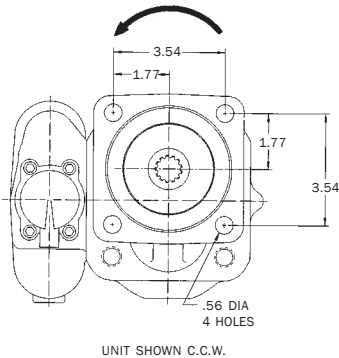
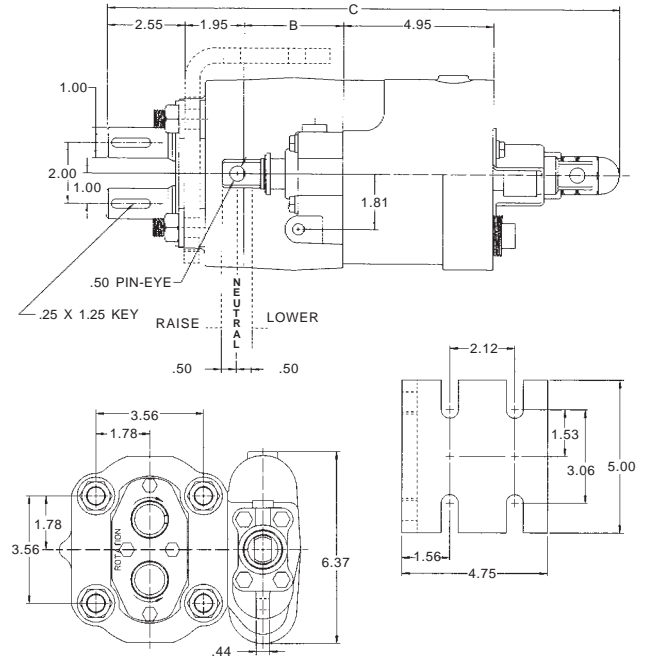
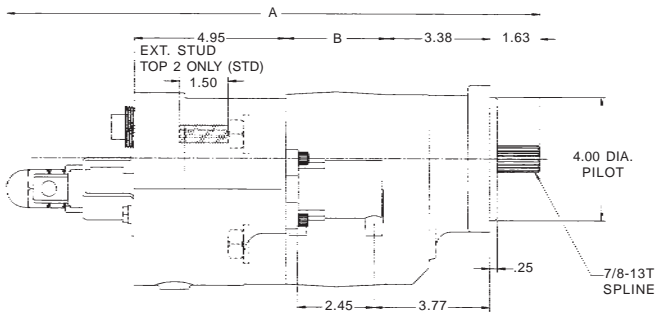
- Pump and cylinder protected in the “Raise” and “Neutral” position of the spool
- Manual shift, factory installed “OE” air, or “Add-on” air shifts each with full metering capabilities
- Built-in load check maintains dump body angle and is installed in the cylinder port for superior self-cleaning
- Direct mount SAE “B” 4 bolt or twin shafted remote mount with bracket
- Built-in direct acting relief valve set at factory
- 100% factory tested
- Flows of 37 and 46 GPM at 1800 RPM
- Pressures to 2500 PSI
- Speeds to 2400 RPM
- High strength alloy steel gear and shaft set
- Neutral lock-out safety cap for use with pull-out cable
- 2 line for intermittent duty or 3 line for continuous duty systems
- 2 extra long studs for easy installation of pump support bracket on direct mount
- Pressure balanced wear plates maintain high pump efficiency throughout all operating ranges



*The Sensible Choice*

# Dimensional Data (inches)

Dump Pumps are not recommended for ejector, conveyor, or moving floor type applications; please refer to Genesis brochure (built # 02-406G) for those type or applications



	A	B
<b>DMD-20</b>	16.85"	2.75"
<b>DMD-25</b>	17.35"	3.25"

	C	B
<b>DM-512-20</b>	16.35"	2.75"
<b>DM-640-25</b>	16.85"	3.25"

PORT VIEW SHOWN FOR BOTH DIRECT AND REMOTE MOUNT

## Pump Code

**DMD - 25 - Z - L - AS - 20 - EB**

Direct Mount, SAE 4 Bolt "B"

**20** 2.0" Gear / 37 GPM at 1800 RPM  
**25** 2.5" Gear / 46 GPM at 1800 RPM

**X** 2 Line (Without 3 Line Sleeve)  
**Z** 3 Line (With 3 Line Sleeve)

**L** Left Hand Rotation  
**R** Right Hand Rotation

### Extended Stud Orientation

**Delete** Top Two (Std.)  
**EB** Bottom Two  
**EL** Left Side  
**ER** Right Side  
**E4** All four

### Relief Valve Setting

**20** 2000 PSI  
**25** 2500 PSI

**AS** Air Shift  
**MS** Manual Shift

**DM - 640 - 25 - ZR - M - T - 200**

Remote Mount

**512-20** In.<sup>3</sup> x 100 / 2.0" Gear / 37 GPM at 1800 RPM  
**640-25** In.<sup>3</sup> x 100 / 2.5" Gear / 46 GPM at 1800 RPM

**X** 2 Line (Without 3 Line Sleeve)  
**Z** 3 Line (With 3 Line Sleeve)

### Valve Orientation

**L** Left Side  
**R** Right Side (Std.)

### Relief Valve Setting

**200** 2000 PSI  
**250** 2500 PSI

**T** Manual Shift  
**AS** "OE" Air Shift  
**M** With Mounting Bracket (Std.)  
**O** Without Mounting Bracket

Permco US  
 1500 Frost Road  
 P. O. Box 2068  
 Streetsboro, OH 44241

Phone 330-626-2801  
 Fax 330-626-2805  
 e-mail info@permco.com  
 www.permco.com

Permco Hydraulik AG  
 P. O. Box 553  
 6343 Rotkreuz  
 Switzerland  
 e-mail heinzm@permco.com

Permco (Tianjin) Hydraulics Inc., Ltd  
 236 Jinbindadao Free Trade Zone  
 TianJin Port, China  
 e-mail technic@permcotj.com  
 www.permcotj.com