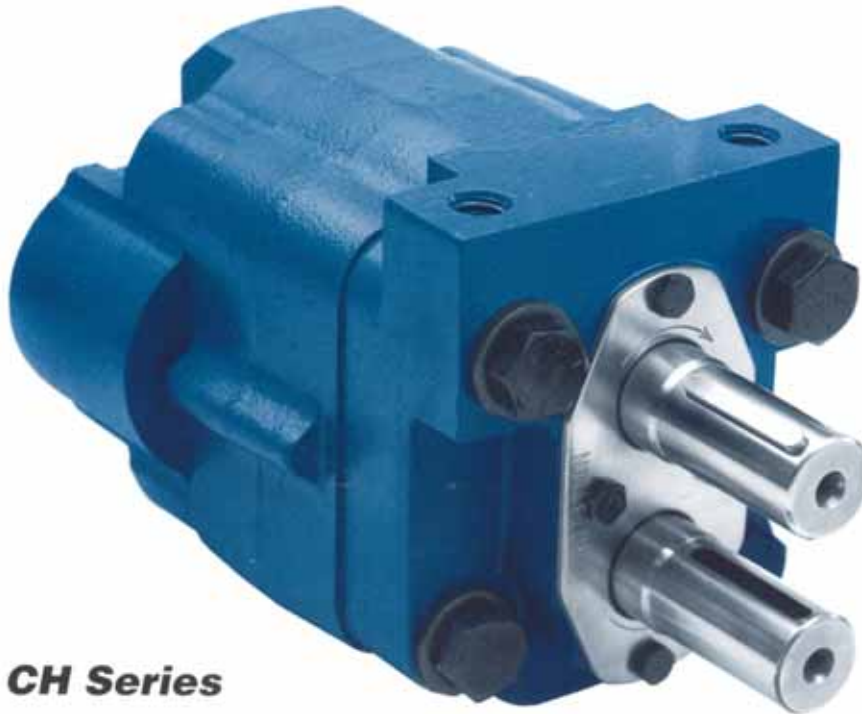


# CH SERIES GEAR PUMPS

# PERMCO

**FOR THE REFUSE TRUCK INDUSTRY**



**CH Series**

Permco's CH Series Gear Pumps have been designed specifically for the refuse truck market needs and are physically interchangeable with other manufacturers of this style pump. The CH Series Pumps are made of high strength cast iron and alloy steel incorporating Permco's rugged and dependable gear pump design. CH Pumps are pad-mounted with double 1 $\frac{1}{8}$  inch drive shafts and large port end covers with 1 $\frac{1}{2}$  inch NPT inlets and a choice of  $\frac{3}{4}$  inch or 1 inch O-ring outlets.

### Three Sizes Available

SERIES

CH640-25

CH512-20

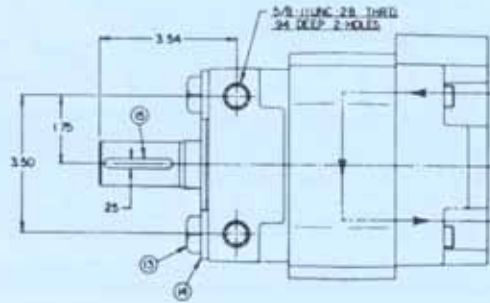
CH384-15

Gear Size (inches)

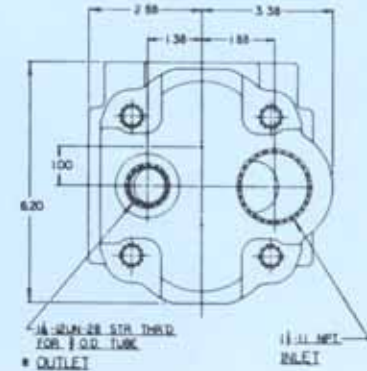
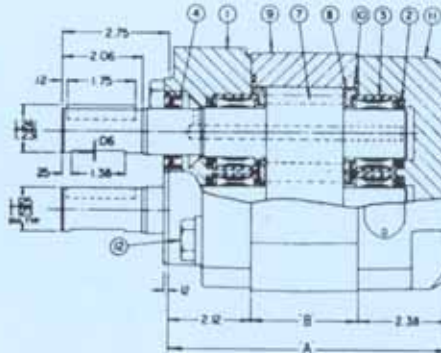
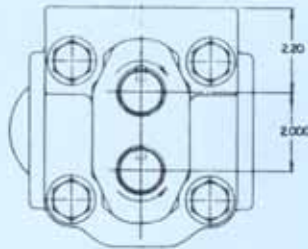
RPM	GPM Output at 2000 PSI	2 $\frac{1}{2}$	2	1 $\frac{1}{2}$
900		21.0	17.5	13.0
1200		29.0	24.0	18.0
1500		37.5	30.5	23.0
1800		46.0	37.0	28.0

*See back page for installation data and parts*

# PERMCO CH SERIES PUMPS



Dimensions (Inches)		
	A	B
CH640-25	7.75	3.25
CH512-20	7.25	2.75
CH384-15	6.75	2.25



## INSTALLATION - ASSEMBLY DATA AND PARTS LIST CH SERIES PUMPS

ITEM	PART NO.	DESCRIPTION	REQ'D
1	575-00259	Shaft End Cover	1
2	MA-0558-1XS	Ring Seal	4
3	R-0921	Roller Bearing	4
4	W62-26-20	Lip Seal	2
5	W023-181	Snap Ring	2
7	JD-0024L-1-15	Drive Gear Set - CH384-15	1
	JD-0024L-1-20	Drive Gear Set - CH512-20	1
	JD-0024L-1-25	Drive Gear set - CH640-25	1
8	X-0947-TC	Thrust Plate	2
9	LZ-0577-15D	Gear Housing - CH384-15	1
	SZ-0577-20D	Gear Housing - CH512-20	1
	SZ-0577-25D	Gear Housing - CH640-25	1
10	TA-2995-245	Square Gasket Seal	2
11	592-00260	Port End Cover - CH-384 & 512	1
	592-00301	Port End Cover - CH-640	1

ITEM	PART NO.	DESCRIPTION	REQ'D
12	WI-14	Cap Screw (5/16-11 x 5) - CH384	2
	WI-78	Cap Screw (5/16-11 x 5 1/2) - CH512	2
	WI-65	Cap Screw (5/16-11 x 6) - CH640	2
13	WI-65	Cap Screw (5/16-11 x 6) - CH384	2
	WI-89	Cap Screw (5/16-11 x 6 1/2) - CH512	2
	WI-64	Cap Screw (5/16-11 x 7) - CH640	2
14	W033-2	Flat Washer 3/16	4
15	W09-01	Key - Drive	1
16	280-1971-032	Dowel Pin (NOT SHOWN)	4



**Permco** 1500 Frost Road  
Streetsboro, Ohio 44241  
Phone: (330) 626-2801  
FAX: (330) 626-2805

[www.permco.com](http://www.permco.com)

