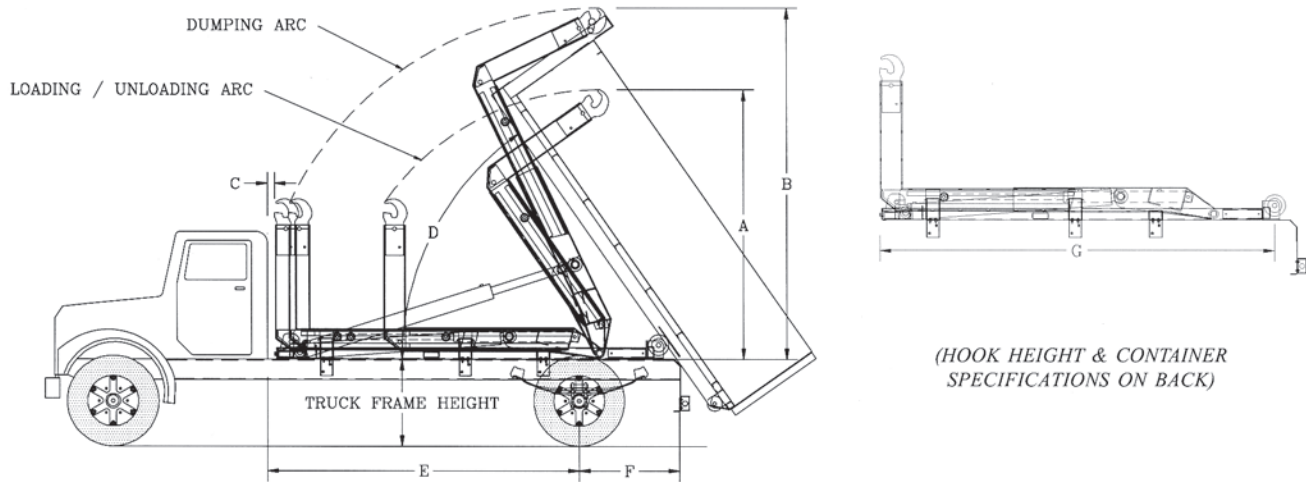


Specifications

U30-HK-138 / U30-HK-156 / U30-HK-176
HOOK HOISTS

Local Calls: 740-366-4002
Fax: 740-366-0771
Website: www.holtzindustries.com



(HOOK HEIGHT & CONTAINER SPECIFICATIONS ON BACK)

HOIST MODELS	U30-HK-138	U30-HK-156	U30-HK-176
* (A) MAXIMUM HOOK HEIGHT ABOVE TRUCK FRAME LOADING / UNLOADING	119 1/16"	119 1/16"	119 1/16"
* (B) MAXIMUM HOOK HEIGHT ABOVE TRUCK FRAME DUMPING	160 3/4"	160 3/4"	160 3/4"
(C) CAB TO HOIST	3 15/16"	3 15/16"	3 15/16"
(D) RAISED ANGLE	60° (14') - 59° (16') - 46° (18')	57° (16') - 46° (18') - 39° (20')	46° (18') - 39° (20')
(E) CAB TO AXLE	138"	156"	176"
** (F) AFTER FRAME	44 3/4" or 68 3/4"	50 3/4" or 74 3/4"	54 3/4"
** (G) HOIST LENGTH	170 1/8" or 194 1/16"	194 1/8" or 218 1/8"	218 3/16"
(H) HOOK HEIGHT	(SEE BACK PAGE FOR DRAWING & DIMENSIONS)		
RATED CAPACITY	30,000 LBS.	30,000 LBS.	30,000 LBS.
LIFT CYLINDERS	6" X 3 1/2" X 78"	6" X 3 1/2" X 78"	6" X 3 1/2" X 78"
JIB CYLINDER	4" X 2 1/2" X 48"	4" X 2 1/2" X 48"	4" X 2 1/2" X 48"
RECOMMENDED CONTAINER LENGTH	14' - 16' or 16'-18'	16' - 18' or 18' - 20'	18' - 20'
APPROX. WEIGHT	3,768 LBS	3,768 LBS	3,768 LBS

(1) FACTORY TESTED WITH RECOMMENDED CONTAINER LENGTH AND WATER LEVEL LOAD.
(2) WHEN RECOMMENDING CONTAINER LENGTHS; WEIGHT DISTRIBUTION, DUMP ANGLE, AND OVERHANG ARE FACTORS.

* TOTAL MAXIMUM HEIGHT WILL DEPEND ON CONTAINER. CONSULT ENGINEERING FOR CLEARANCE
** CONSULT ENGINEERING FOR BEST CONFIGURATION

