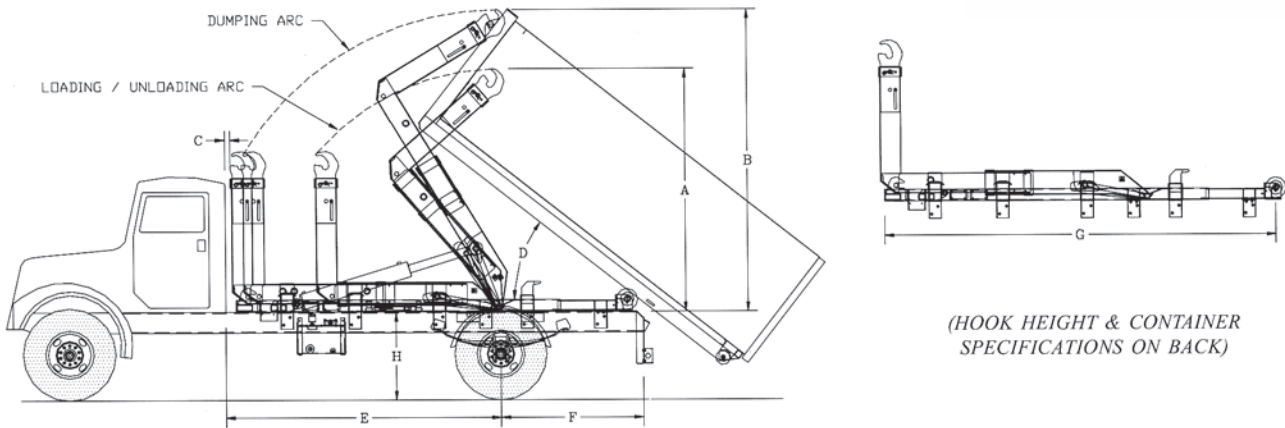


Call Us Toll Free  
1-800-535-0104  
1-800-499-7537

# Specifications

U20-HK-120 / U20-HK-132 / U20-HK-144  
HOOK HOISTS

Local Calls: 740-366-4002  
Fax: 740-366-0771  
Website: [www.holtzindustries.com](http://www.holtzindustries.com)



(HOOK HEIGHT & CONTAINER SPECIFICATIONS ON BACK)

HOIST MODELS	U20-HK-120	U20-HK-132	U20-HK-144
* (A) MAXIMUM HOOK HEIGHT ABOVE TRUCK FRAME LOADING / UNLOADING	106 1/8"	106 1/8"	106 1/8"
* (B) MAXIMUM HOOK HEIGHT ABOVE TRUCK FRAME DUMPING	131 1/4"	131 1/4"	131 1/4"
(C) CAB TO HOIST	2 7/8"	2 7/8"	2 7/8"
(D) RAISED ANGLE	60° (12') - 46° (14') - 38° (16')	46° (14') - 38° (16')	46° (14') - 38° (16')
(E) CAB TO AXLE	120"	132"	144"
** (F) AFTER FRAME	39 1/2" or 63 1/2"	51 1/2"	39 1/2"
** (G) HOIST LENGTH	147 1/4" or 171 7/16"	171 7/16"	171 7/16"
(H) HOOK HEIGHT	(SEE BACK PAGE FOR DRAWING & DIMENSIONS)		
RATED CAPACITY	20,000 LBS.	20,000 LBS.	20,000 LBS.
LIFT CYLINDERS	5" X 3" X 52"	5" X 3" X 52"	5" X 3" X 52"
JIB CYLINDER	3" X 2" X 37"	3" X 2" X 37"	3" X 2" X 37"
RECOMMENDED CONTAINER LENGTH	12' - 14' or 14' - 16'	14' - 16'	14' - 16'
APPROX. WEIGHT	2,971 LBS	2,971 LBS	2,971 LBS

(1) FACTORY TESTED WITH RECOMMENDED CONTAINER LENGTH AND WATER LEVEL LOAD.  
(2) WHEN RECOMMENDING CONTAINER LENGTHS; WEIGHT DISTRIBUTION, DUMP ANGLE, AND OVERHANG ARE FACTORS.

\* TOTAL MAXIMUM HEIGHT WILL DEPEND ON CONTAINER. CONSULT ENGINEERING FOR CLEARANCE  
\*\* CONSULT ENGINEERING FOR BEST CONFIGURATION

