



Call Us Toll Free  
1-800-535-0104  
1-800-499-7537

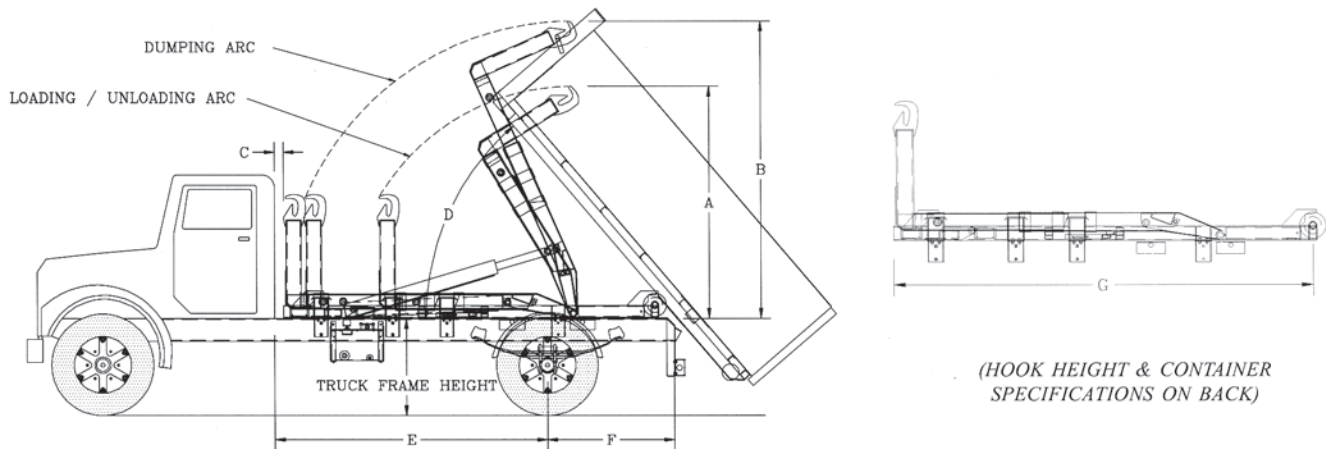
# Specifications

Local Calls: 740-366-4002

Fax: 740-366-0771

Website: [www.holtzindustries.com](http://www.holtzindustries.com)

## U13-HK-120 / U13-HK-132 / U13-HK-144 HOOK HOISTS



HOIST MODELS	U13-HK-120	U13-HK-132	U13-HK-144
* (A) MAXIMUM HOOK HEIGHT ABOVE TRUCK FRAME LOADING / UNLOADING	93 11/16"	93 11/16"	93 11/16"
* (B) MAXIMUM HOOK HEIGHT ABOVE TRUCK FRAME DUMPING	119 5/8"	119 5/8"	119 5/8"
(C) CAB TO HOIST	2 15/16"	2 15/16"	2 15/16"
(D) RAISED ANGLE	62° (12') - 48° (14') - 40° (16')	48° (14') - 40° (16')	48° (14') - 40° (16')
(E) CAB TO AXLE	120"	132"	144"
** (F) AFTER FRAME	38 1/2" or 62 1/2"	50 1/2"	38 1/2"
** (G) HOIST LENGTH	147 1/4" or 171 7/16"	171 7/16"	171 7/16"
(H) HOOK HEIGHT	(SEE BACK PAGE FOR DRAWING & DIMENSIONS)		
RATED CAPACITY	13,000 LBS.	13,000 LBS.	13,000 LBS.
LIFT CYLINDERS	5" X 3" X 52"	5" X 3" X 52"	5" X 3" X 52"
JIB CYLINDER	3" X 2" X 37"	3" X 2" X 37"	3" X 2" X 37"
RECOMMENDED CONTAINER LENGTH	12' - 14' or 14' - 16'	14' - 16'	14' - 16'
APPROX. WEIGHT	2,541 LBS	2,541 LBS	2,541 LBS

(1) FACTORY TESTED WITH RECOMMENDED CONTAINER LENGTH AND WATER LEVEL LOAD.

(2) WHEN RECOMMENDING CONTAINER LENGTHS; WEIGHT DISTRIBUTION, DUMP ANGLE, AND OVERHANG ARE FACTORS.

\* TOTAL MAXIMUM HEIGHT WILL DEPEND ON CONTAINER. CONSULT ENGINEERING FOR CLEARANCE

\*\* CONSULT ENGINEERING FOR BEST CONFIGURATION

