

# U17-HK SINGLE PIVOT HOOK HOISTS MODELS 120 / 132 / 144



U17-HK-132 shown with optional Pioneer HR2500 PowerGlide™ tarping system.

Versatile single pivot hook hoists are ideal for waste hauling, recreational applications and landscaping. Since the U17 uses fewer hydraulics and moving components, it requires less maintenance. Affordable, reliable and easy to operate, the U17 single pivot hook hoist offers the versatility to meet nearly any hauling need.

- » **Single axle trucks**
- » **17,000 lb. capacity**

## Standard Features

### Ease of Operation

- Centered cab mount - Power Tower
- Plug n' Play wiring system
- Roller stools
- Inside and outside air controls

### Safety

- Heavy duty safety prop
- Backup & hoist up alarm with signal light in cab
- Rear ratchet container hold downs

### Durability

- 3 micron hydraulic return with 10 micron breather and 100 micron screen mesh filtration
- Two-part epoxy primer and paint (factory mount only)
- Hoist frames are huck bolted to chassis (factory mount only)
- Rubber mounted/sealed recessed in bumper LED lighting

- Direct mount hydraulic piston pump
- Pivot joints are hardened steel bushings with grease fittings
- Outboard supported upper lift shaft
- Lifetime warranty on frame and 2-year limited warranty on hydraulics

### Quality

- Lean manufacturing processes with solid modeling and stress analysis testing ensure consistent quality every time
- Customized engineering layouts created on customers' chassis to ensure compatibility

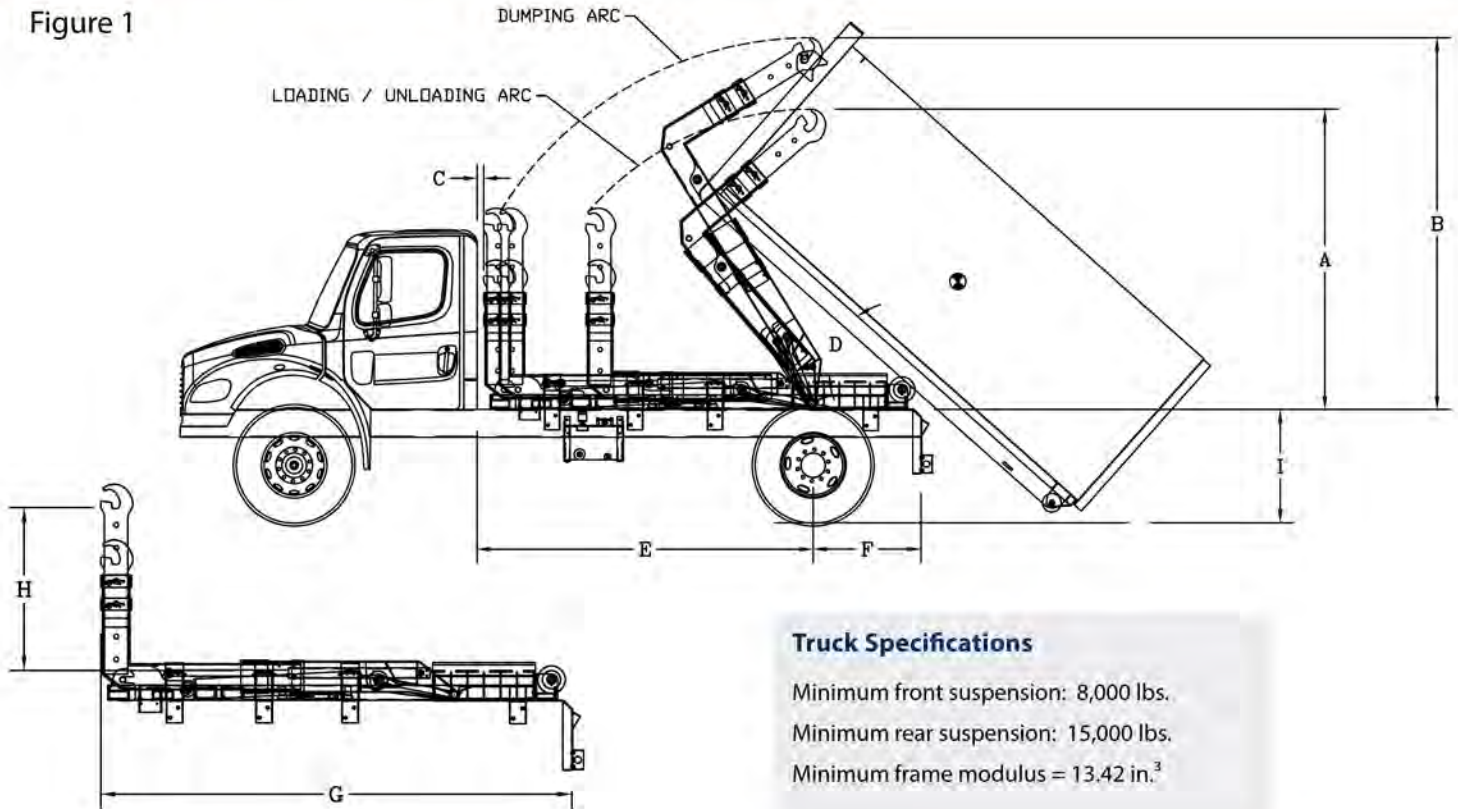
## Available Options

- Lift axles (steer and non-steer) (not applicable to all chassis makes)
- Tires and rims (sizes, steel, aluminum)
- Hydraulic wet kits
- Air compressors for non-air trucks (factory mount only)
- Lighting (extra and safety)
- Bumpers, pintle hooks, reese style hitches
- Fenders (poly, steel, aluminum, smooth or contoured)
- Toolboxes
- Pioneer tarping systems
- Container hold downs
- Hoist up speed limiting parameters (factory mount only)

**Holtz Industries, Inc.**  
200 South Terrace Ct  
Newark, OH 43055  
TF: 1-800-535-0104  
Web: [www.holtzindustries.com](http://www.holtzindustries.com)

# U17-HK-120 / 132 / 144 HOOK HOISTS

Figure 1



### Truck Specifications

Minimum front suspension: 8,000 lbs.  
 Minimum rear suspension: 15,000 lbs.  
 Minimum frame modulus = 13.42 in.<sup>3</sup>

FEATURE	
Cross members	Structural tubing 62,000 lb. min. tensile A500 Grade C
Main frame	Structural tubing 62,000 lb. min. tensile A500 Grade C
Jib frame	A514T-1 and structural tubing A500 Grade C
Pivot assembly	A514T-1 and structural tubing A500 Grade C
Hook assembly	A514T-1 100,000 psi min. yield
Hinge shaft	2" solid (64,000 lb. tensile)
Jib bearing	A514T-1 100,000 psi min. yield bar
Hydraulic pump	Direct mount bent axis piston type 24 gpm @ 1,500 rpm
Hydraulic valve	2 spool 25 gpm with safety bypass
Operating pressure	4,000 psi
Oil reservoir	20 gallon with combo sight/temperature gauge and a 3 micron return filter and 10 micron breather filter
Working points	Greasable

### Notes for Figure 1

- 1 When recommending container lengths weight distribution, dump angle, and overhang are all factors.
- 2 Factory tested with recommended container length and water level loads.
- 3 Consult sales representative for additional details.
- 4 Total maximum height will depend on container sizes. Consult Engineering for clearances.
- 5 Consult with Engineering for best product configurations.

**Holtz Industries, Inc.**  
**200 South Terrace Ct**  
**Newark, OH 43055**  
**TF: 1-800-535-0104**  
**Web: [www.holtzindustries.com](http://www.holtzindustries.com)**

	120" CA/CT	132" CA/CT	144" CA/CT
<b>Recommended container size <sup>1</sup> (see note above)</b>	10' - 16'	10' - 16'	10' - 16'
<b>Rated hoist capacity <sup>2</sup> (see note above)</b>	17,000 lbs.	17,000 lbs.	17,000 lbs.
<b>Lift cylinders (2 dual acting rod type)</b>	5" x 3" x 52"	5" x 3" x 52"	5" x 3" x 52"
<b>Jib cylinder (1 dual acting rod type)</b>	3" x 2" x 37"	3" x 2" x 37"	3" x 2" x 37"
<b>Cycle times @ 24 gpm</b>			
Extending dump	22.31 sec.	22.31 sec.	22.31 sec.
Retracting dump	14.28 sec.	14.28 sec.	14.28 sec.
Extending jib	2.86 sec.	2.86 sec.	2.86 sec.
Retracting jib	1.59 sec.	1.59 sec.	1.59 sec.
<b>A - Maximum hook height above truck frame (loading/unloading)</b>	96"	96"	96"
<b>B - Maximum hook height above truck frame (dumping)</b>	124"	124"	124"
<b>C - Back of cab to hoist</b>	2 1/4"	2 1/4"	2 1/4"
<b>D - Dump angle at different container lengths</b>			
10 ft. box	56 deg.	56 deg.	56 deg.
12 ft. box	68 deg.	68 deg.	68 deg.
14 ft. box	59.5 deg.	59.5 deg.	59.5 deg.
16 ft. box	41 deg.	41 deg.	41 deg.
<b>E - Back of cab to axle</b>	120"	132"	144"
<b>F - After frame</b>	38 1/2" or 63 1/2"	50 1/2"	38 1/2"
<b>G - Hoist length</b>	156"	168"	180"
<b>H - Hook height</b>	36"	36"	36"
<b>I - Frame height</b>	40 1/2" or less	40 1/2" or less	40 1/2" or less
<b>Adjustable frame length</b>	Adjusts to fit	Adjusts to fit	Adjusts to fit
<b>Approximate weight with standard features</b>	3,719 lbs.	3,719 lbs.	3,719 lbs.



Adjustable hook 36" & 54"



Hydraulic tank with sight/temperature gauge and shut-off valve



Rear slider rails with ratchet hold downs



Inside air controls mounted in Power Tower



Outside controls



Bolt-on roller stools



Hoist up in-cab alarm



Hoist safety/maintenance prop



Rear flanged rollers

**Holtz Industries, Inc. | 200 South Terrace Ct | Newark, OH 43055**  
**TF: 1-800-535-0104 | Web: [www.holtzindustries.com](http://www.holtzindustries.com)**



Galbreath is a Wastequip brand. Wastequip is the leading North American manufacturer of waste and recycling equipment for collecting, processing and transporting recyclables and solid or liquid waste. © Wastequip 2017 All rights reserved. Specifications subject to improvement without notice. Equipment displayed should be operated by properly trained personnel. Operators should become familiar with OSHA, ANSI and any other applicable standards or laws for using this equipment. Improper use, misuse, or lack of maintenance could cause injury to people and/or property. Photos used in the literature are illustrative only. We assume no liability or responsibility for proper training/operation of equipment not manufactured by Wastequip. We reserve the right to make changes at any time without notice. Information contained within this literature is intended to be the most accurate available at time of printing.

GAL060-022017